

[www.ruukki.com](http://www.ruukki.com)

# FACADE CLADDING

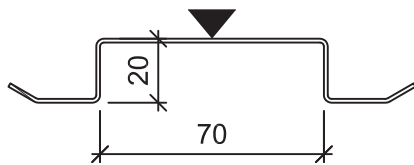
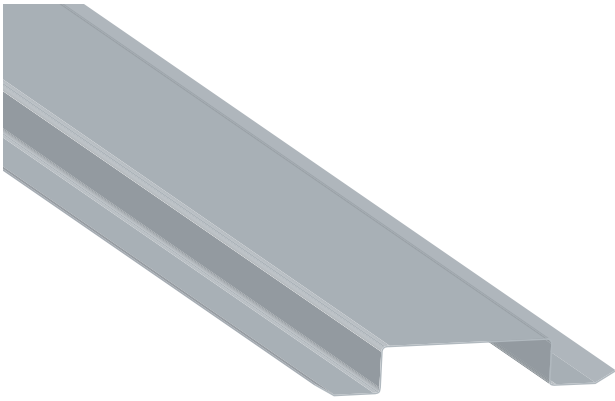
ACCESSORIES

**RUUKKI**  
Building your tomorrow.

## • Content

Support studs .....	3-10
Support stud joint pieces .....	11
Adjustable fastener .....	12-13
Adjustable bracket system for cladding installation.....	14-17
Starting fillets .....	18-20
Flashings .....	21
- Plinth flashings.....	21
- Sill flashings.....	22
- Vertical joint flashings.....	23-28
- External corner flashings .....	29-35
- Internal corner flashings.....	36-40
- Cover flashings .....	41-46
- Eaves flashings .....	47-48
- Storm flashings.....	49
- Support flashings .....	50
- Reverse flashings .....	51
Joint pieces.....	52-57
Fastening screws.....	58-60
Sealings .....	61
Other accessories .....	62
- Fastening socket .....	62
- Reparation paints.....	63

This brochure includes the main accessories of facade claddings. They do not directly fit for use in all construction sites. In conflict situations act according to the instructions of the structural designer or contact our technical support (contact information on the last page of this brochure).



● **Product properties**

Product name	<b>Support stud CA1SS1</b>
Standard length	3000 mm
Special range	150–4000 mm
Band width	170 mm
Weight	1,6 kg/m (steel)
Unit	m

● **Materials, coatings and colours**

1,2 mm	Steel, zinc coated steel
1,5 mm	Aluminum

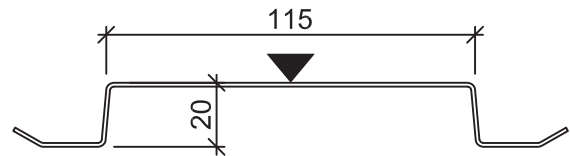
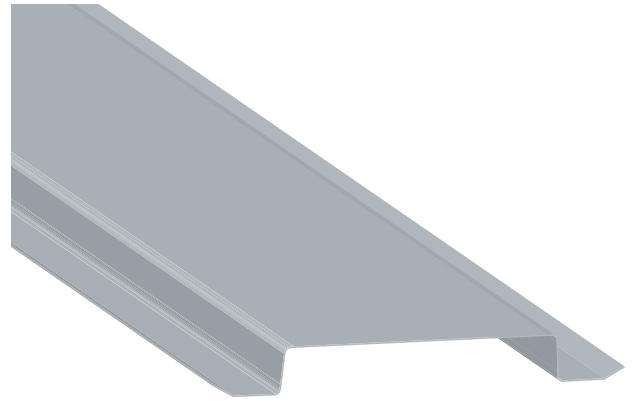
	Colour chart	Coating	Colour
Steel	Standard chart	HIARC	RR20, RR21, RR22, RR23, RR40, RR41, RR45
		HIARC Matt	RR40, RR41, RR45
	Colourful chart	HIARC & Powder paint	RR11, RR24, RR26, RR29, RR30, RR31, RR32, RR33, RR34, RR35, RR36, RR37, RR42, RR43, RR44, RR750
Powder paint		RAL and NCS colours available by request	
Aluminum	Colourful chart	PVDF	RAL and NCS colours available by request
		Powder paint	RR, RAL and NCS colours available by request

Minimum order sizes:

- Standard chart: no limitations
- Colourful chart: decided on a project basis

● **Intended use**

Sub-frame of facade cladding



● **Product properties**

Product name	<b>Support stud CA1SS2</b>
Standard length	3000 mm
Special range	150–4000 mm
Band width	250 mm
Weight	2,4 kg/m (steel)
Unit	m

● **Materials, coatings and colours**

1,2 mm	Steel, zinc coated steel
1,5 mm	Aluminum

	Colour chart	Coating	Colour
Steel	Standard chart	HIARC	RR20, RR21, RR22, RR23, RR40, RR41, RR45
		HIARC Matt	RR40, RR41, RR45
	Colourful chart	HIARC & Powder paint	RR11, RR24, RR26, RR29, RR30, RR31, RR32, RR33, RR34, RR35, RR36, RR37, RR42, RR43, RR44, RR750
Powder paint		RAL and NCS colours available by request	
Aluminum	Colourful chart	PVDF	RAL and NCS colours available by request
		Powder paint	RR, RAL and NCS colours available by request

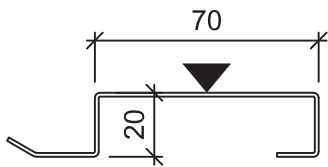
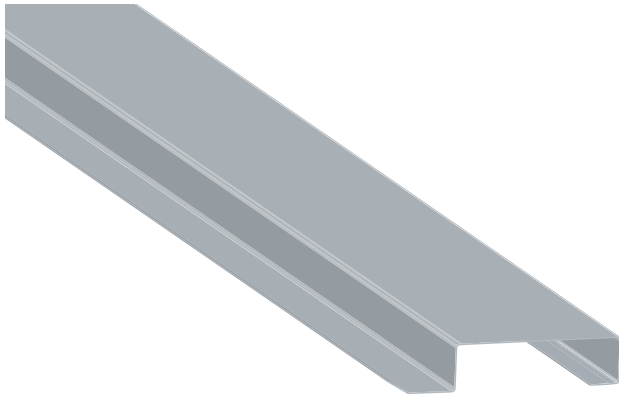
Minimum order sizes:

- Standard chart: no limitations
- Colourful chart: decided on a project basis

● **Intended use**

Sub-frame of facade cladding





● **Product properties**

Product name	<b>Support stud CA1RS1</b>
Standard length	3000 mm
Special range	150–4000 mm
Band width	150 mm
Weight	1,4 kg/m (steel)
Unit	m

● **Materials, coatings and colours**

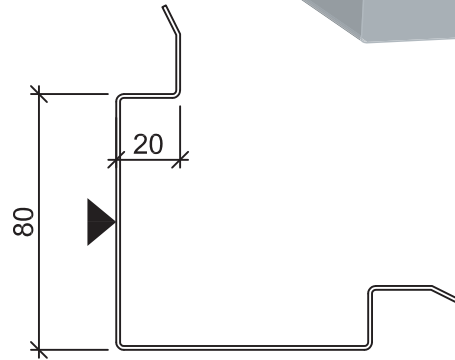
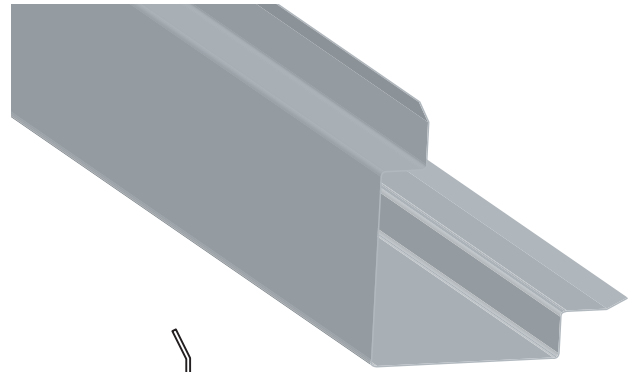
1,2 mm	Steel, zinc coated steel
1,5 mm	Aluminum

	Colour chart	Coating	Colour
Steel	Standard chart	HIARC	RR20, RR21, RR22, RR23, RR40, RR41, RR45
		HIARC Matt	RR40, RR41, RR45
	Colourful chart	HIARC & Powder paint	RR11, RR24, RR26, RR29, RR30, RR31, RR32, RR33, RR34, RR35, RR36, RR37, RR42, RR43, RR44, RR750
Powder paint		RAL and NCS colours available by request	
Aluminum	Colourful chart	PVDF	RAL and NCS colours available by request
		Powder paint	RR, RAL and NCS colours available by request

- Minimum order sizes:
- Standard chart: no limitations
  - Colourful chart: decided on a project basis

● **Intended use**

Sub-frame of facade cladding



● **Product properties**

Product name	<b>Support stud corner CA1SSC1</b>
Standard length	3000 mm
Special range	150–4000 mm
Band width	250 mm
Weight	2,4 kg/m
Unit	m

● **Materials, coatings and colours**

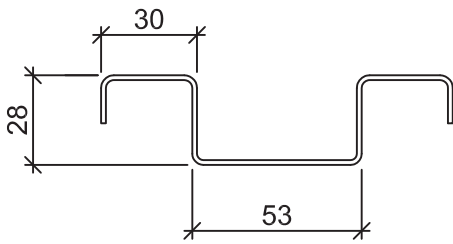
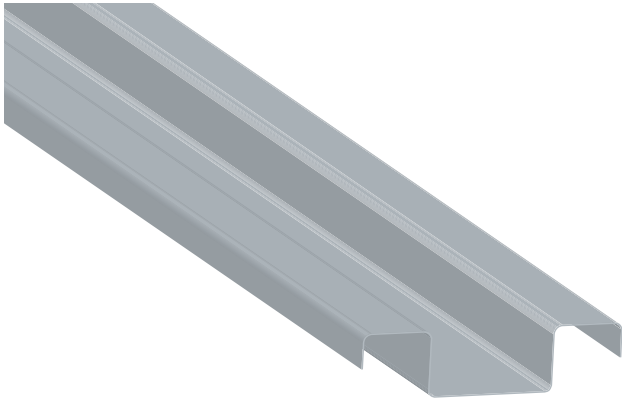
1,2 mm	Steel, zinc coated steel
1,5 mm	Aluminum

	Colour chart	Coating	Colour
Steel	Standard chart	HIARC	RR20, RR21, RR22, RR23, RR40, RR41, RR45
		HIARC Matt	RR40, RR41, RR45
	Colourful chart	HIARC & Powder paint	RR11, RR24, RR26, RR29, RR30, RR31, RR32, RR33, RR34, RR35, RR36, RR37, RR42, RR43, RR44, RR750
Powder paint		RAL and NCS colours available by request	
Aluminum	Colourful chart	PVDF	RAL and NCS colours available by request
		Powder paint	RR, RAL and NCS colours available by request

- Minimum order sizes:
- Standard chart: no limitations
  - Colourful chart: decided on a project basis

● **Intended use**

Sub-frame of facade cladding



- **Product properties**

Product name	<b>Support stud CA1SS3</b>
Standard length	3000 mm
Special range	150–4000 mm
Band width	189 mm
Weight	2,2 kg/m
Unit	m

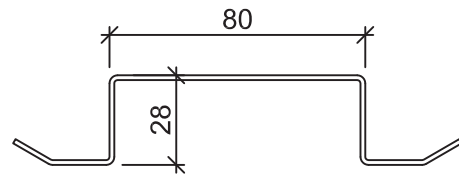
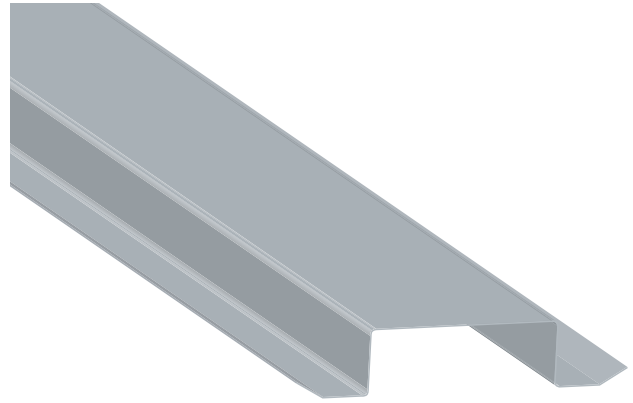
- **Materials, coatings and colours**

1,5 mm                      steel Cor-Ten A

Minimum order sizes:  
- no limitations

- **Intended use**

Sub-frame of Cor-Ten facade cladding



- **Product properties**

Product name	<b>Support stud CA1SS4</b>
Standard length	3000 mm
Special range	150–4000 mm
Band width	192 mm
Weight	2,3 kg/pcs
Unit	m

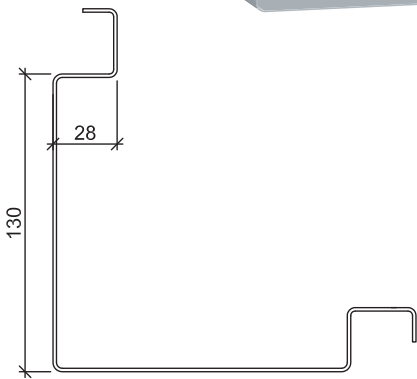
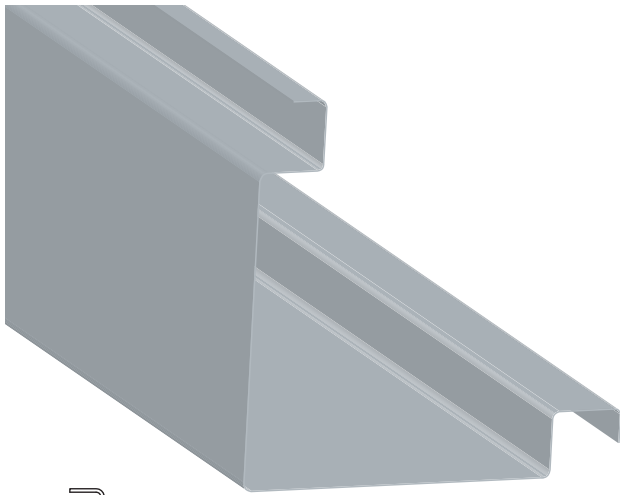
- **Materials, coatings and colours**

1,5 mm                      steel Cor-Ten A

Minimum order sizes:  
-no limitations

- **Intended use**

Sub-frame of Cor-Ten facade cladding



- **Product properties**

Product name	<b>Support stud corner CA1SSC2</b>
Standard length	3000 mm
Special range	150–4000 mm
Band width	396 mm
Weight	2,3 kg/m
Unit	m

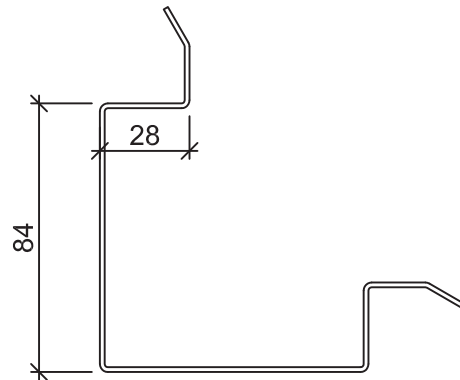
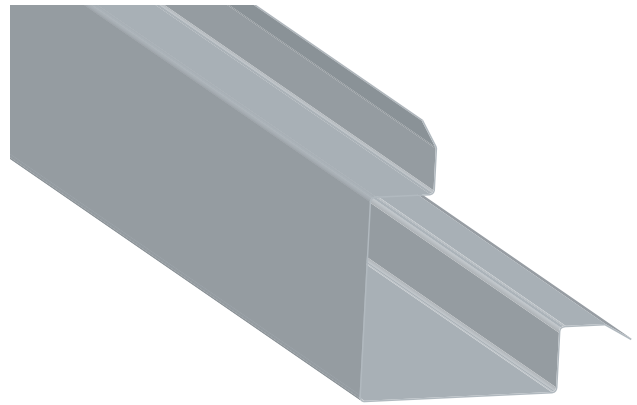
- **Materials, coatings and colours**

1,5 mm steel Cor-Ten A

Minimum order sizes:  
- no limitations

- **Intended use**

Sub-frame of Cor-Ten facade cladding



- **Product properties**

Product name	<b>Support stud corner CA1SSC3</b>
Standard length	3000 mm
Special range	150–4000 mm
Band width	280 mm
Weight	3,3 kg/m
Unit	m

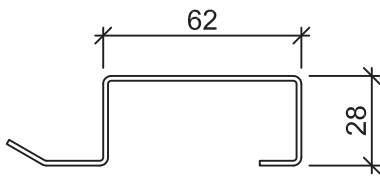
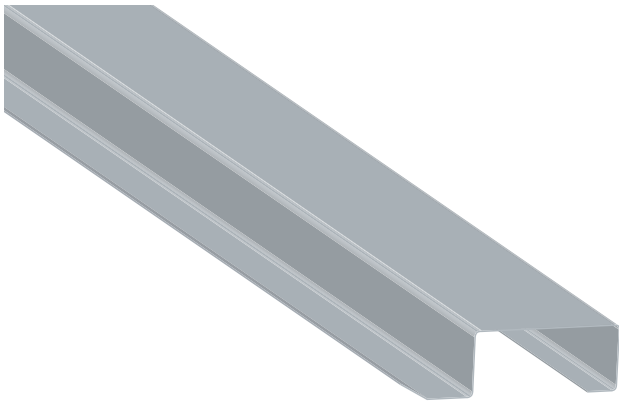
- **Materials, coatings and colours**

1,5 mm steel Cor-Ten A

Minimum order sizes:  
- no limitations

- **Intended use**

Sub-frame of Cor-Ten facade cladding



- **Product properties**

Product name	<b>Support stud CA1RS2</b>
Standard length	3000 mm
Special range	150–4000 mm
Band width	156 mm
Weight	1,8 kg/m
Unit	m

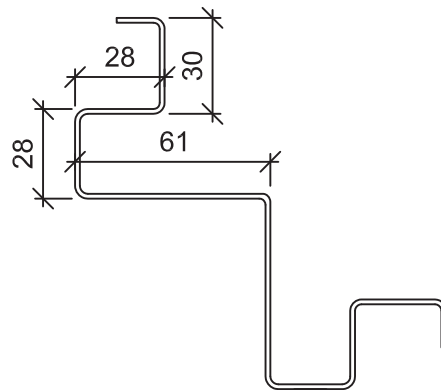
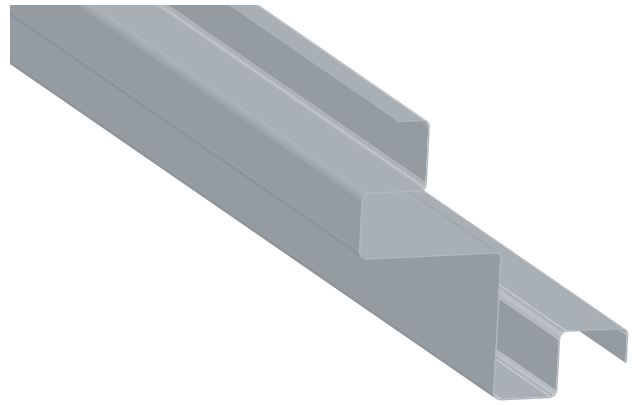
- **Materials, coatings and colours**

1,5 mm steel Cor-Ten A

Minimum order sizes:  
- no limitations

- **Intended use**

Sub-frame of Cor-Ten facade cladding



- **Product properties**

Product name	<b>Support stud CA1SSC4</b>
Standard length	3000 mm
Special range	150–4000 mm
Band width	312 mm
Weight	3,7 kg/m
Unit	m

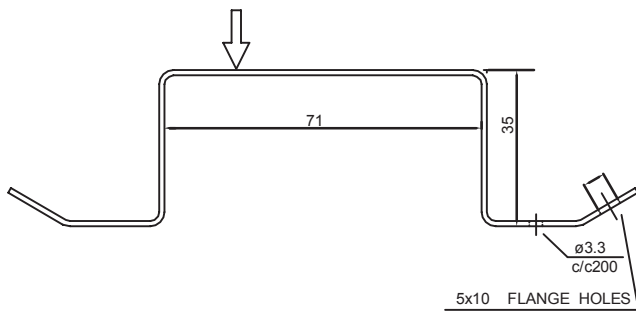
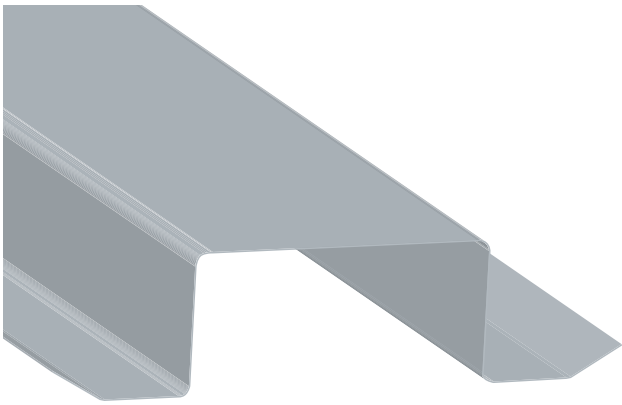
- **Materials, coatings and colours**

1,5 mm steel Cor-Ten A

Minimum order sizes:  
- no limitations

- **Intended use**

Sub-frame of Cor-Ten facade cladding



- **Product properties**

Product name	<b>Support stud CA1SS-A</b>
Standard length	3000 mm
Special range	150–4000 mm
Band width	205 mm
Weight	1,9 kg/m
Unit	m

- **Materials, coatings and colours**

1,2 mm	Steel
--------	-------

**Standard:**

HIARC Matt	RR45
------------	------

Minimum order sizes:

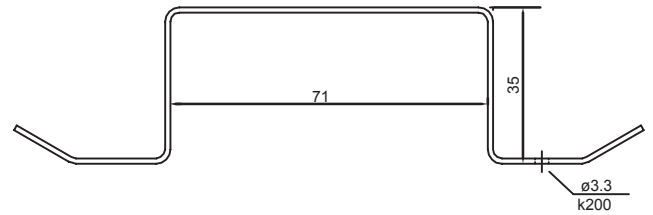
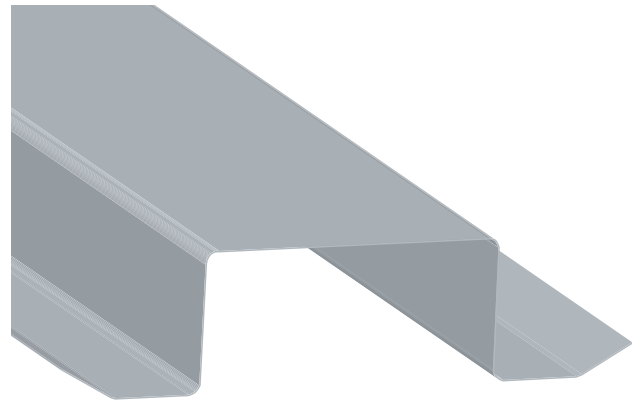
- Standard chart: no limitations

- **Intended use**

Sub-frame of Liberta Solar rainscreen panels.

- **Note**

Joint stud when installed without adjustable fasteners



- **Product properties**

Product name	<b>Support stud CA1SS-B</b>
Standard length	3000 mm
Special range	150–4000 mm
Band width	205 mm
Weight	1,9 kg/m
Unit	m

- **Materials, coatings and colours**

1,2 mm	Zinc coated steel
--------	-------------------

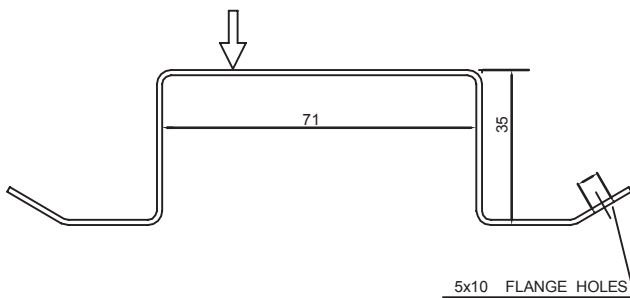
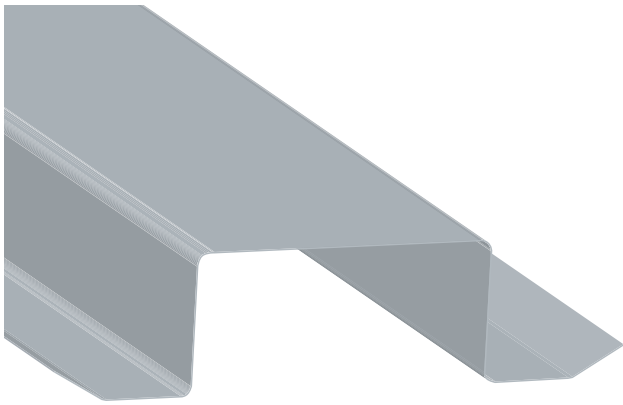
- **Intended use**

Sub-frame of Liberta Solar rainscreen panels.

- **Note**

Middle stud when installed without adjustable fasteners





- **Product properties**

Product name	<b>Support stud CA1SS-C</b>
Standard length	3000 mm
Special range	150–4000 mm
Band width	205 mm
Weight	1,9 kg/m
Unit	m

- **Materials, coatings and colours**

1,2 mm Steel

**Standard:**

HIARC Matt RR45

Minimum order sizes:

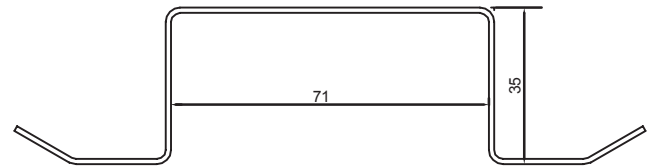
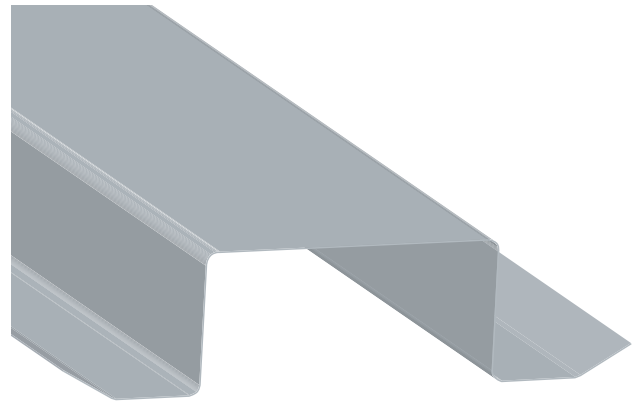
– Standard chart: no limitations

- **Intended use**

Sub-frame of Liberta Solar rainscreen panels

- **Note**

Joint stud when installed without adjustable fasteners



- **Product properties**

Product name	<b>Support stud CA1SS-D</b>
Standard length	3000 mm
Special range	150–4000 mm
Band width	205 mm
Weight	1,9 kg/m
Unit	m

- **Materials, coatings and colours**

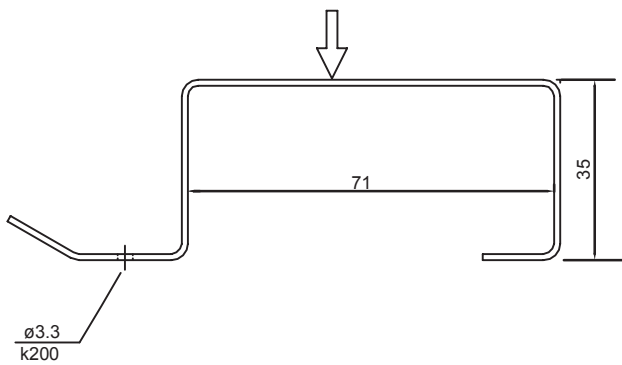
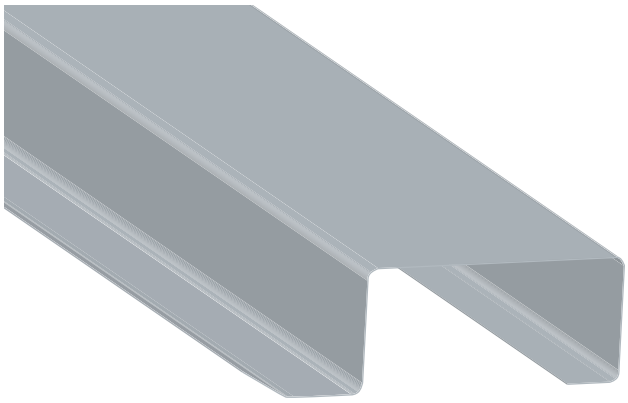
1,2 mm Zinc coated steel

- **Intended use**

Sub-frame of Liberta Solar rainscreen panels

- **Note**

Middle stud when installed on adjustable fastener



- **Product properties**

Product name	<b>Support stud CA1SS -edge</b>
Standard length	3000 mm
Special range	150–4000 mm
Band width	183 mm
Weight	1,7 kg/m
Unit	m

- **Materials, coatings and colours**

1,2 mm	Steel
--------	-------

**Standard:**

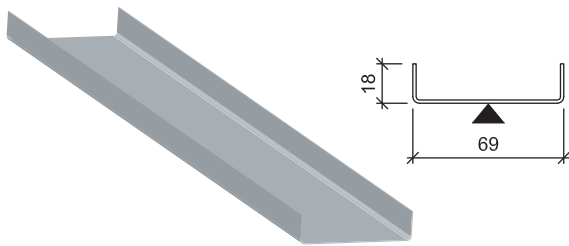
HIARC Matt	RR45
------------	------

Minimum order sizes:

- Standard chart: no limitations

- **Intended use**

Sub-frame of Liberta Solar rainscreen panels



● **Product properties**

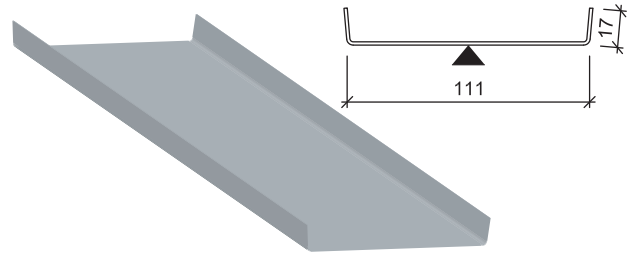
Product name	<b>Support stud joint piece CA1SSJ1</b>
Standard length	200 mm
Band width	99 mm
Weight	0,23 kg/pcs (steel)
Unit	pcs

● **Materials, coatings and colours**

1,5 mm	Zinc coated steel
1,5 mm	Aluminum

● **Intended use**

Joint piece of support stud CA1SS1



● **Product properties**

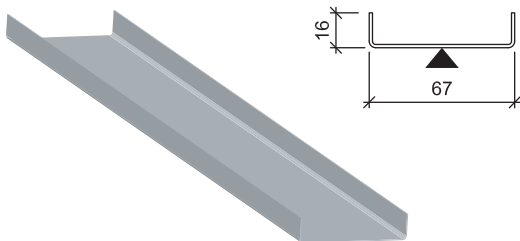
Product name	<b>Support stud joint piece CA1SSJ2</b>
Standard length	200 mm
Band width	139 mm
Weight	0,33 kg/pcs (steel)
Unit	pcs

● **Materials, coatings and colours**

1,5 mm	Zinc coated steel
1,5 mm	Aluminum

● **Intended use**

Joint piece of support stud CA1SS2



● **Product properties**

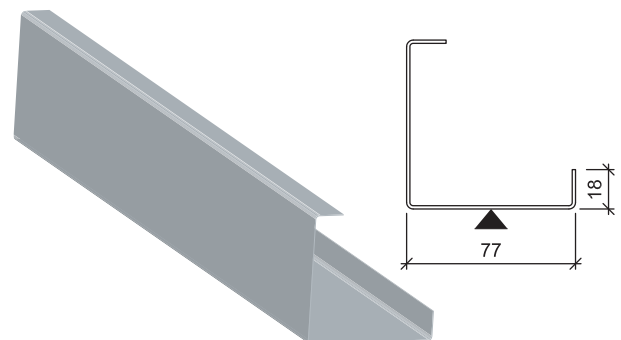
Product name	<b>Support stud joint piece CA1SSJ3</b>
Standard length	200 mm
Band width	93 mm
Weight	0,22 kg/pcs (steel)
Unit	pcs

● **Materials, coatings and colours**

1,5 mm	Zinc coated steel
1,5 mm	Aluminum

● **Intended use**

Joint piece of support stud CA1RS1



● **Product properties**

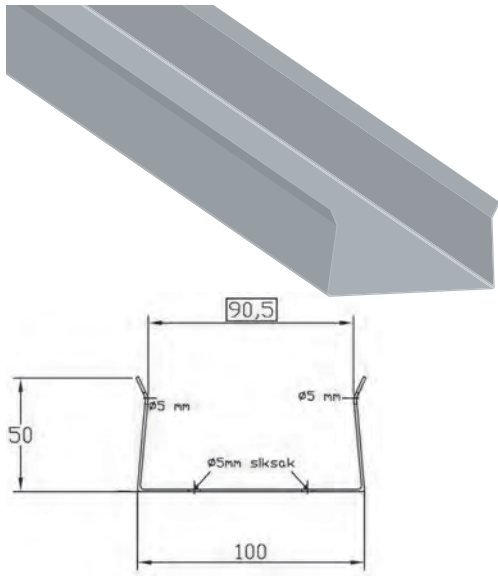
Product name	<b>Support stud joint piece CA1SSJ4</b>
Standard length	200 mm
Band width	181 mm
Weight	0,44 kg/pcs (steel)
Unit	pcs

● **Materials, coatings and colours**

1,5 mm	Zinc coated steel
1,5 mm	Aluminum

● **Intended use**

Joint piece of support stud CA1SC1



● **Product properties**

Product name	<b>Adjustable stud CA1SS5</b>
Standard length	3000 mm
Special range	150–4000 mm
Band width	193 mm
Weight	1,8 kg/m
Unit	m

● **Materials, coatings and colours**

1,2 mm	Steel, zinc coated steel
1,5 mm	Aluminum

	Colour chart	Coating	Colour
Steel	Standard chart	HIARC	RR20, RR21, RR22, RR23, RR40, RR41, RR45
		HIARC Matt	RR40, RR41, RR45
	Colourful chart	HIARC & Powder paint	RR11, RR24, RR26, RR29, RR30, RR31, RR32, RR33, RR34, RR35, RR36, RR37, RR42, RR43, RR44, RR750
		Powder paint	RAL and NCS colours available by request
Aluminum	Colourful chart	PVDF	RAL and NCS colours available by request
		Powder paint	RR, RAL and NCS colours available by request

Minimum order sizes:

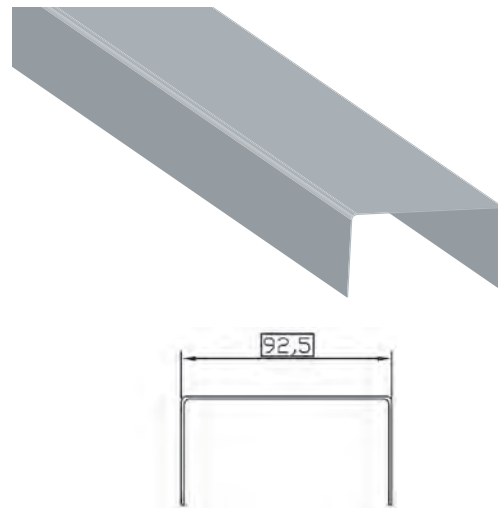
- Standard chart: no limitations
- Colorful chart: decided on a project basis

● **Intended use**

Inner component of adjustable fastener.

● **Note**

Stud CA1SS5 (inside measure) and CA1SS6 (outside measure), difference requirement 2 mm. There should always be friction between CA1SS5 and CA1SS6 to help adjusting purlins together before fastening



● **Product properties**

Product name	<b>Adjustable stud CA1SS6</b>
Standard length	3000 mm
Special range	150–4000 mm
Band width	183 mm
Weight	1,7 kg/m
Unit	m

● **Materials, coatings and colours**

1,2 mm	Steel, zinc coated steel
1,5 mm	Aluminum

	Colour chart	Coating	Colour
Steel	Standard chart	HIARC	RR20, RR21, RR22, RR23, RR40, RR41, RR45
		HIARC Matt	RR40, RR41, RR45
	Colourful chart	HIARC & Powder paint	RR11, RR24, RR26, RR29, RR30, RR31, RR32, RR33, RR34, RR35, RR36, RR37, RR42, RR43, RR44, RR750
		Powder paint	RAL and NCS colours available by request
Aluminum	Colourful chart	PVDF	RAL and NCS colours available by request
		Powder paint	RR, RAL and NCS colours available by request

Minimum order sizes:

- Standard chart: no limitations
- Colorful chart: decided on a project basis

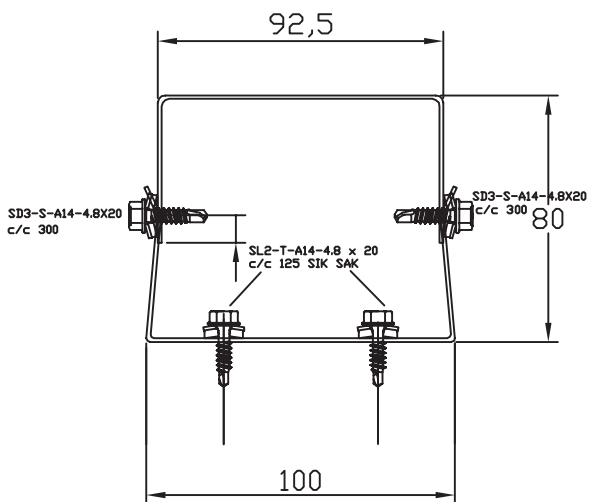
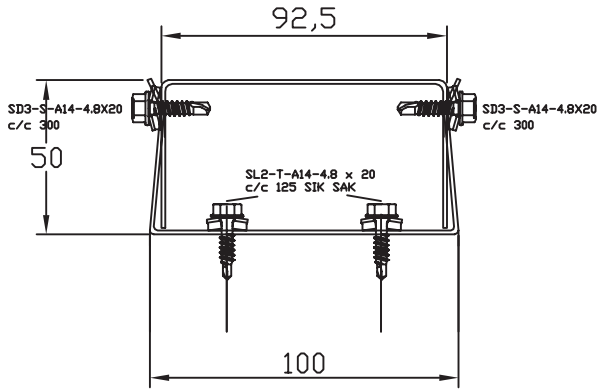
● **Intended use**

Inner component of adjustable fastener.

● **Note**

Stud CA1SS5 (inside measure) and CA1SS6 (outside measure), difference requirement 2 mm. There should always be friction between CA1SS5 and CA1SS6 to help adjusting purlins together before fastening.

- **Installation of adjustable studs CA1SS5 and CA1SS6**



- **Note**

The studs should stay with help of friction on each other before fastening.

Adjusting area 50-80 mm

Stud CA1SS5 (inside measure) and CA1SS6 (outside measure), difference requirement 2 mm. There should always be friction between CA1SS5 and CA1SS6 to help adjusting purlins together before fastening.

- **Adjustable bracket system for cladding installation**

The professional fixation system for ventilated facades and ceilings.

**1. Components of the system:**

- **Brackets**

Installation brackets can bridge up to 900 mm of wall and ceiling distances. Installation brackets are manufactured according to ISO 9001 in high-strength aluminium, special steel with maximum corrosion protection and stainless steel.

**Materials:**

aluminium, zinc galvanized steel, stainless steel

**Standard bracket lengths:**

65 – 300 mm

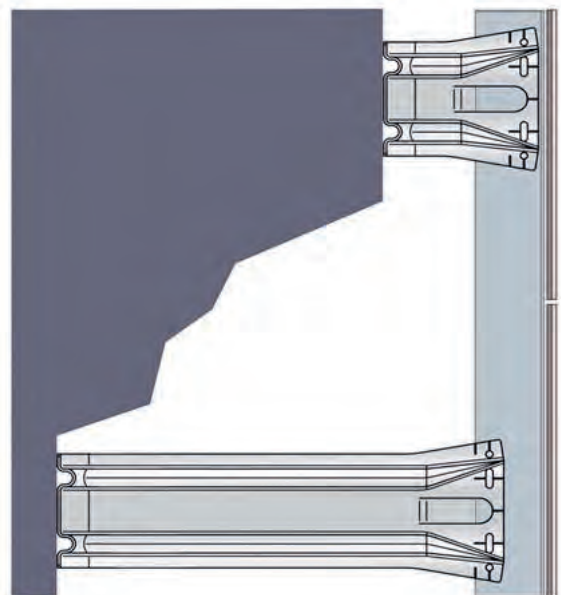
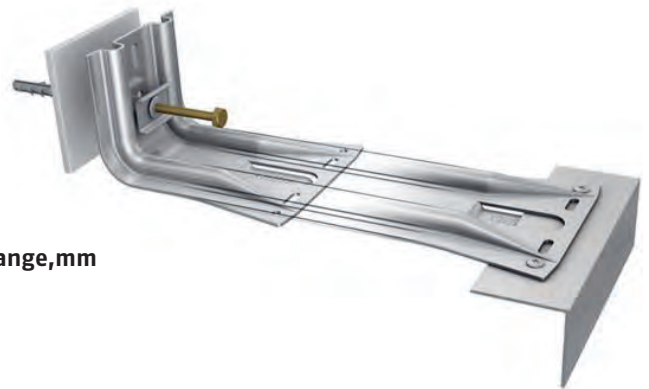
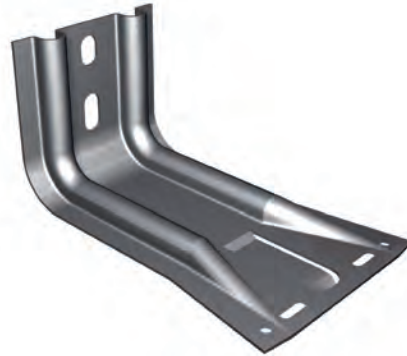
**Package size:**

50 pcs (with the exception of non-standard lengths) in one box.

**Description**

Description	Adjustment range,mm
Installation bracket 65/80mm CA6IB6580	65-105
Installation bracket 85/80mm CA6IB8580	85-125
Installation bracket 110/80mm CA6IB11080	110-150
Installation bracket 135/80mm CA6IB13580	135-175
Installation bracket 160/80mm CA6IB16080	160-200
Installation bracket 170/80mm CA6IB17080	170-210
Installation bracket 185/80mm CA6IB18580	185-225
Installation bracket 210/80mm CA6IB21080	210-250
Installation bracket 240/80mm CA6IB24080	240-280
Installation bracket 270/80mm CA6IB27080	270-310
Installation bracket 300/80mm CA6IB30080	300-340
Installation bracket 330/80mm CA6IB33080	330-370
Installation bracket 350/80mm CA6IB35080*	350-390
Installation bracket 360/80mm CA6IB36080	360-400
Installation bracket 390/80mm CA6IB39080	390-430
Installation bracket 420/80mm CA6IB42080	420-460
Installation bracket 450/80mm CA6IB45080	450-490
Installation bracket 480/80mm CA6IB48080	480-520
Installation bracket 510/80mm CA6IB51080	510-550
Installation bracket 540/80mm CA6IB54080	540-580
Installation bracket 570/80mm CA6IB57080	570-610
Installation bracket 600/80mm CA6IB60080	600-640
Installation bracket 630/80mm CA6IB63080	630-670
Installation bracket 660/80mm CA6IB66080	660-700
Installation bracket 690/80mm CA6IB69080	690-730
Installation bracket 720/80mm CA6IB72080	720-760
Installation bracket 750/80mm CA6IB75080	750-790
Installation bracket 780/80mm CA6IB78080	780-820
Installation bracket 810/80mm CA6IB81080	810-850
Installation bracket 840/80mm CA6IB84080	840-880
Installation bracket 870/80mm CA6IB87080	870-910
Installation bracket 900/80mm CA6IB90080	900-940

\*Only available in aluminum!







- **Product properties**

Product name: **Thermostop 5mm CA6T**

Thickness: 5 mm

Package size: 200 pcs

- **Intended use**

mounted between the wall and bracket for thermal insulation purpose



- **Product properties**

Product name:

**Washer 8,5 mm hole CA6W105**

**Washer 10,5 mm hole CA6W105**

Package size: 100 pcs

- **Material**

aluminium, zinc galvanized steel, stainless steel

- **Intended use**

fixation of bracket to wall



- **Product properties**

Product name:

**Flashing L-profile CA1F60406000, size 60x40 mm**

**Flashing L-profile CA1F60606000, size 60x60 mm**

Standard length: 6000 mm

Thickness: 1,8- 2,0 mm (aluminium), 1,5 mm (steel and stainless steel)

Package unit: pcs

- **Material**

aluminium, zinc galvanized steel, stainless steel

- **Intended use**

sub-frame of cladding



- **Product properties**

Product name: **Flashing T-profile CA1F140606000\***

Standard length: 6000 mm

Thickness: 1,8-2,0 mm

Package unit: pcs

\*Only available in aluminum!

- **Material**

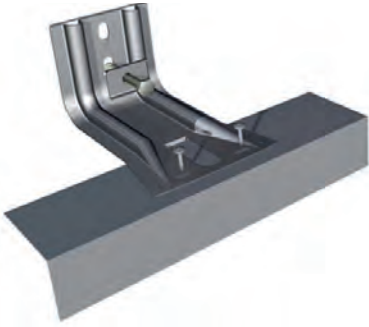
aluminium

- **Intended use**

sub-frame of cladding

## 2. Installation

- Horizontal placement
- Vertical placement



Installation bracket horizontally mounted

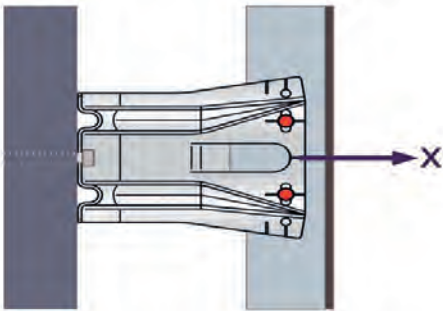


Installation bracket vertically mounted

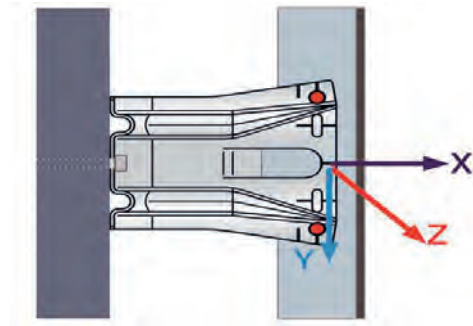
## 3. Fixation of profiles

Installation brackets can be used both as fixed or as gliding points

- Round holes
- Oval holes

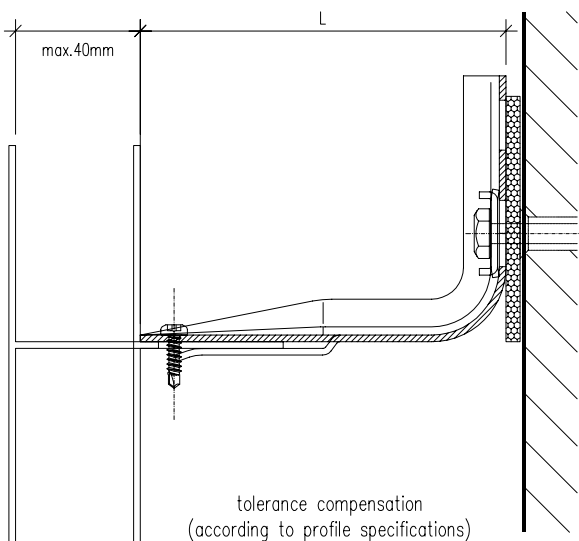


Gliding point connections with profile fixed twice by OVAL holes



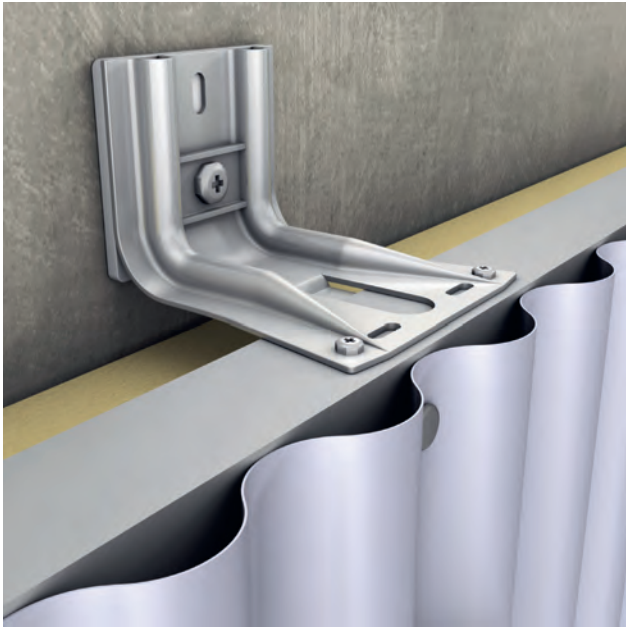
Fixed point connection with profile fixed twice by ROUND holes

The flexible spring clip enables progressive compensation of structural tolerances up to 40 mm



#### 4. Area of applications

- Cassette facade
- Lamella
- Design profiles



Design profile  
Rivet / Screw fixation  
horizontal / vertical construction with wind foil

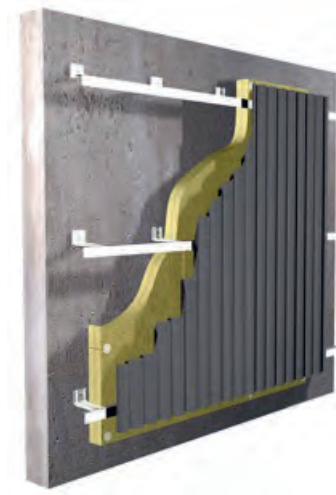


Design profile  
Rivet / Screw fixation  
horizontal construction

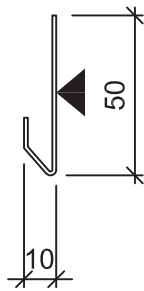
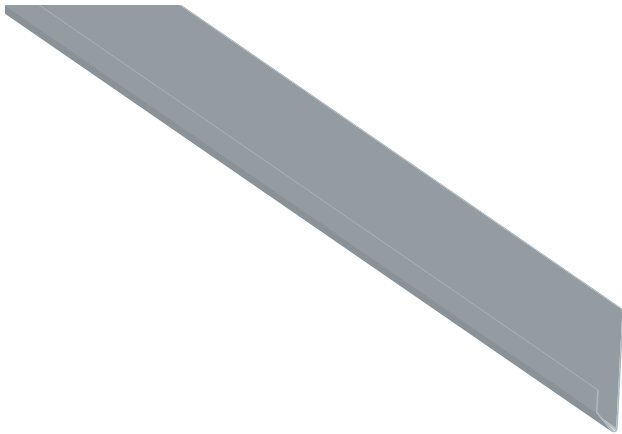
#### • Metal facade



Corrugated sheet vertical



Trapez sheet horizontal



● **Product properties**

Product name	<b>Starting fillet CA1SF2</b>
Standard length	3000 mm
Special range	150–3000 mm
Band width	70 mm
Weight	0,66 kg/m (steel)
Unit	m

● **Materials, coatings and colours**

1,2 mm	Steel, zinc coated steel
1,5 mm	Aluminum

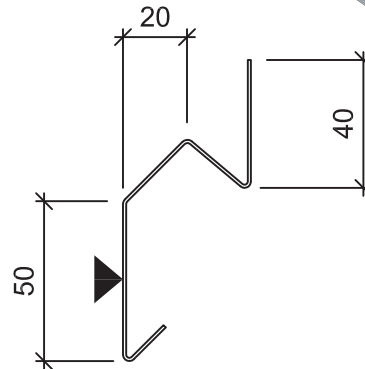
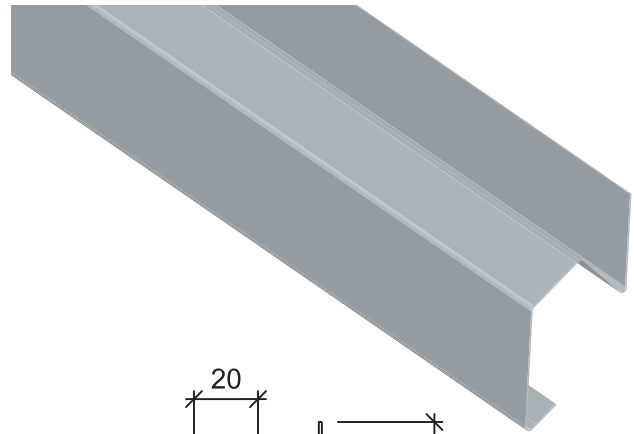
	Colour chart	Coating	Colour
Steel	Standard chart	HIARC	RR20, RR21, RR22, RR23, RR40, RR41, RR45
		HIARC Matt	RR40, RR41, RR45
	Colourful chart	HIARC & Powder paint	RR11, RR24, RR26, RR29, RR30, RR31, RR32, RR33, RR34, RR35, RR36, RR37, RR42, RR43, RR44, RR750
		Powder paint	RAL and NCS colours available by request
Aluminum	Colourful chart	PVDF	RAL and NCS colours available by request
		Powder paint	RR, RAL and NCS colours available by request

Minimum order sizes:

- Standard chart: no limitations
- Colorful chart: decided on a project basis

● **Intended use**

Starting fillet for Liberta elegant 500 / 500 Grande



● **Product properties**

Product name	<b>Starting fillet CA1SF3</b>
Standard length	3000 mm
Special range	150–3000 mm
Band width	150 mm
Weight	1,4 kg/m (steel)
Unit	m

● **Materials, coatings and colours**

1,2 mm	Steel, zinc coated steel
1,5 mm	Aluminum

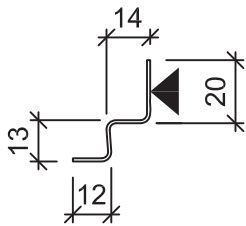
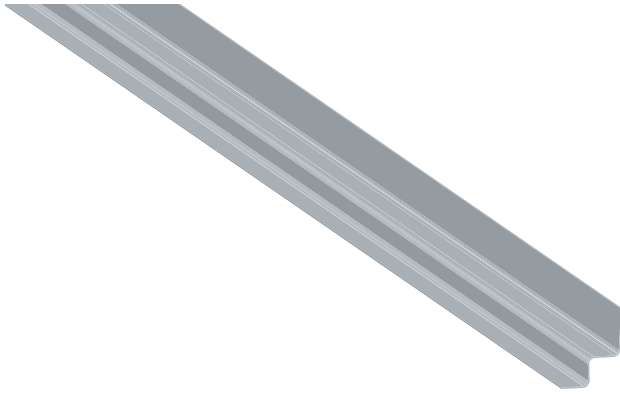
	Colour chart	Coating	Colour
Steel	Standard chart	HIARC	RR20, RR21, RR22, RR23, RR40, RR41, RR45
		HIARC Matt	RR40, RR41, RR45
	Colourful chart	HIARC & Powder paint	RR11, RR24, RR26, RR29, RR30, RR31, RR32, RR33, RR34, RR35, RR36, RR37, RR42, RR43, RR44, RR750
		Powder paint	RAL and NCS colours available by request
Aluminum	Colourful chart	PVDF	RAL and NCS colours available by request
		Powder paint	RR, RAL and NCS colours available by request

Minimum order sizes:

- Standard chart: no limitations
- Colorful chart: decided on a project basis

● **Intended use**

Starting fillet for Lamella groove 10 / groove 20



• **Product properties**

Product name	<b>Starting fillet CA1SF4</b>
Standard length	3000 mm
Special range	150–3000 mm
Band width	52 mm
Weight	0,49 kg/m (steel)
Unit	m

• **Materials, coatings and colours**

1,2 mm	Steel, zinc coated steel
1,5 mm	Aluminum

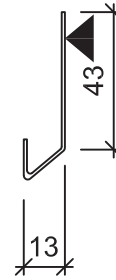
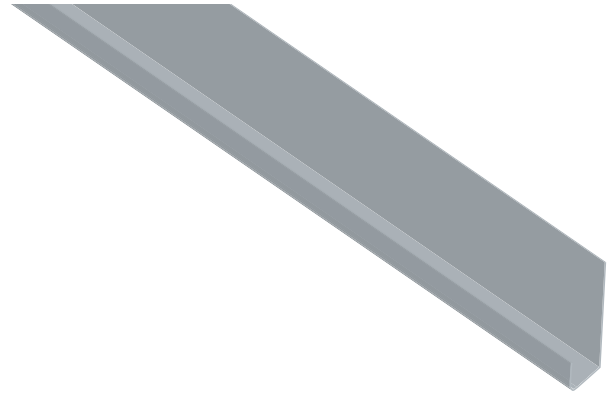
	Colour chart	Coating	Colour
Steel	Standard chart	HIARC	RR20, RR21, RR22, RR23, RR40, RR41, RR45
		HIARC Matt	RR40, RR41, RR45
	Colourful chart	HIARC & Powder paint	RR11, RR24, RR26, RR29, RR30, RR31, RR32, RR33, RR34, RR35, RR36, RR37, RR42, RR43, RR44, RR750
		Powder paint	RAL and NCS colours available by request
Aluminum	Colourful chart	PVDF	RAL and NCS colours available by request
		Powder paint	RR, RAL and NCS colours available by request

Minimum order sizes:

- Standard chart: no limitations
- Colourful chart: decided on a project basis

• **Intended use**

Starting fillet for Lamella sharp 45 / smooth 50



• **Product properties**

Product name	<b>Starting fillet CA1SF5</b>
Standard length	3000 mm
Special range	150–3000 mm
Band width	70 mm
Weight	0,66 kg/m (steel)
Unit	m

• **Materials, coatings and colours**

1,2 mm	Steel, zinc coated steel
1,5 mm	Aluminum

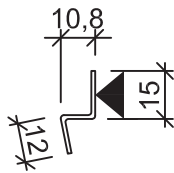
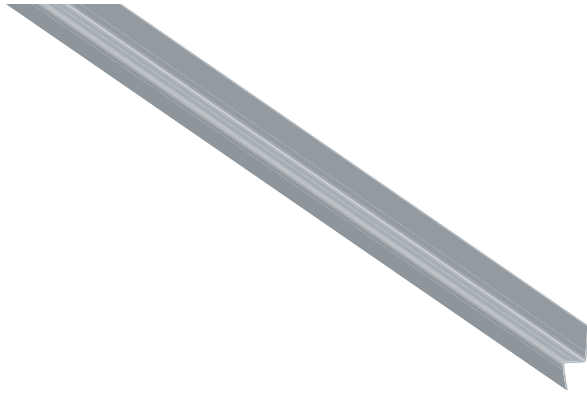
	Colour chart	Coating	Colour
Steel	Standard chart	HIARC	RR20, RR21, RR22, RR23, RR40, RR41, RR45
		HIARC Matt	RR40, RR41, RR45
	Colourful chart	HIARC & Powder paint	RR11, RR24, RR26, RR29, RR30, RR31, RR32, RR33, RR34, RR35, RR36, RR37, RR42, RR43, RR44, RR750
		Powder paint	RAL and NCS colours available by request
Aluminum	Colourful chart	PVDF	RAL and NCS colours available by request
		Powder paint	RR, RAL and NCS colours available by request

Minimum order sizes:

- Standard chart: no limitations
- Colourful chart: decided on a project basis

• **Intended use**

Starting fillet for Lamella lap 60



● **Product properties**

Product name	<b>Starting fillet CA1SF6</b>
Standard length	3000 mm
Special range	150–3000 mm
Band width	35 mm
Weight	0,33 kg/m (steel)
Unit	m

● **Materials, coatings and colours**

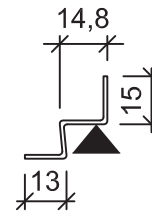
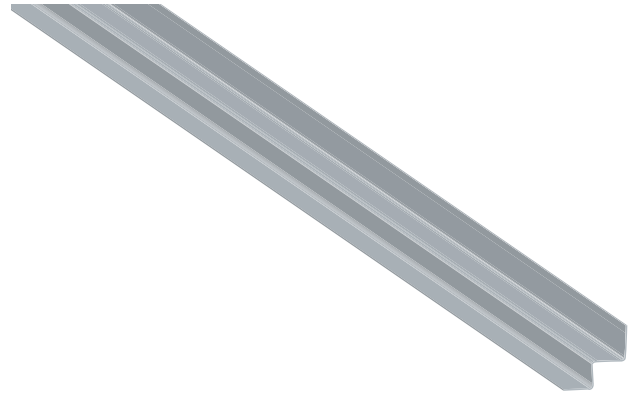
1,2 mm	Steel, zinc coated steel
1,5 mm	Aluminum

	Colour chart	Coating	Colour
Steel	Standard chart	HIARC	RR20, RR21, RR22, RR23, RR40, RR41, RR45
		HIARC Matt	RR40, RR41, RR45
	Colourful chart	HIARC & Powder paint	RR11, RR24, RR26, RR29, RR30, RR31, RR32, RR33, RR34, RR35, RR36, RR37, RR42, RR43, RR44, RR750
		Powder paint	RAL and NCS colours available by request
Aluminum	Colourful chart	PVDF	RAL and NCS colours available by request
		Powder paint	RR, RAL and NCS colours available by request

- Minimum order sizes:
- Standard chart: no limitations
  - Colourful chart: decided on a project basis

● **Intended use**

Starting fillet for Lamella peak 90



● **Product properties**

Product name	<b>Starting fillet CA1SF7</b>
Standard length	3000 mm
Special range	150–3000 mm
Band width	49 mm
Weight	0,62 kg/m (steel)
Unit	m

● **Materials, coatings and colours**

1,2 mm	Steel zinc coated steel
1,5 mm	Aluminum

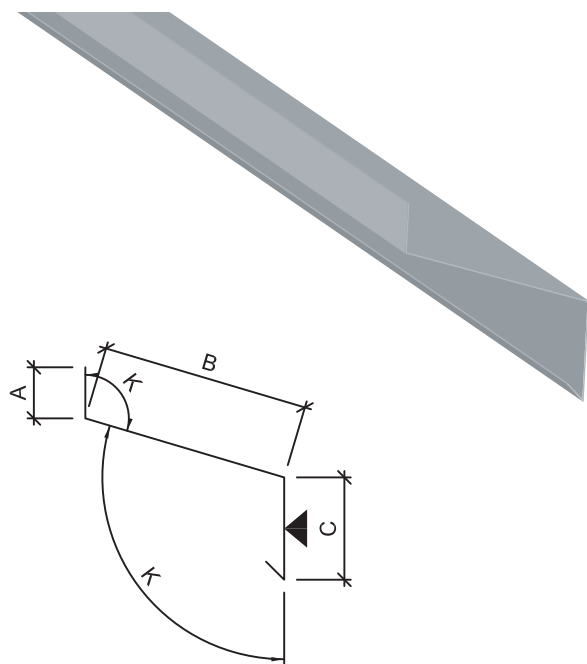
	Colour chart	Coating	Colour
Steel	Standard chart	HIARC	RR20, RR21, RR22, RR23, RR40, RR41, RR45
		HIARC Matt	RR40, RR41, RR45
	Colourful chart	HIARC & Powder paint	RR11, RR24, RR26, RR29, RR30, RR31, RR32, RR33, RR34, RR35, RR36, RR37, RR42, RR43, RR44, RR750
		Powder paint	RAL and NCS colours available by request
Aluminum	Colourful chart	PVDF	RAL and NCS colours available by request
		Powder paint	RR, RAL and NCS colours available by request

- Minimum order sizes:
- Standard chart: no limitations
  - Colourful chart: decided on a project basis

● **Intended use**

Starting fillet for Lamella straight 100





● **Product properties**

Product name	<b>Plinth flashing CA1P1X</b>
Standard length	3000 mm
Special range	150–4000 mm
Band width	Depends on A, B, C measures
Minimum values	A: 10 B: 12 C: 15
Weight	-
Unit	m <sup>2</sup>

● **Materials, coatings and colours**

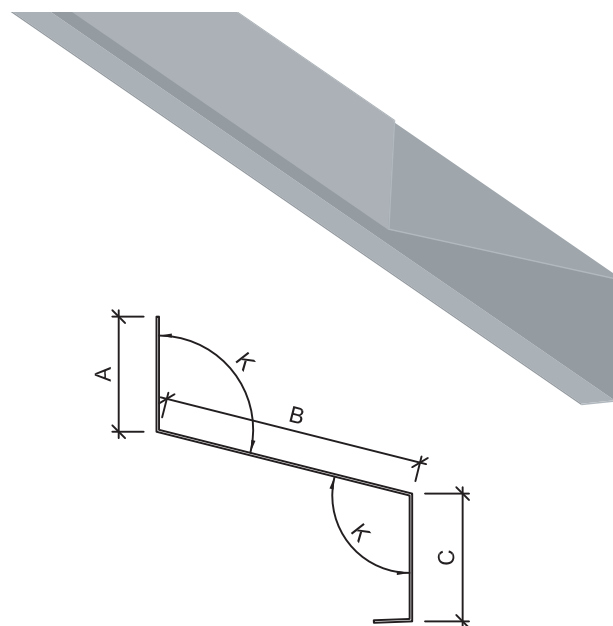
0,6 mm	Steel
0,7 mm	Aluminum

	Colour chart	Coating	Colour
Steel	Standard chart	HIARC	RR20, RR21, RR22, RR23, RR40, RR41, RR45
		HIARC Matt	RR40, RR41, RR45
	Colourful chart	HIARC & Powder paint	RR11, RR24, RR26, RR29, RR30, RR31, RR32, RR33, RR34, RR35, RR36, RR37, RR42, RR43, RR44, RR750
Powder paint		RAL and NCS colours available by request	
Aluminum	Colourful chart	PVDF	RAL and NCS colours available by request
		Powder paint	RR, RAL and NCS colours available by request

Minimum order sizes:  
 - Standard chart: no limitations  
 - Colorful chart: decided on a project basis

● **Intended use**

To cover the transition point of plinth and the wall of building



● **Product properties**

Product name	<b>Plinth flashing CA1P2X</b>
Standard length	3000 mm
Special range	150–4000 mm
Band width	Depends on A, B, C measures
Minimum values	A: 12 B: 12 C: 12
Weight	-
Unit	m <sup>2</sup>

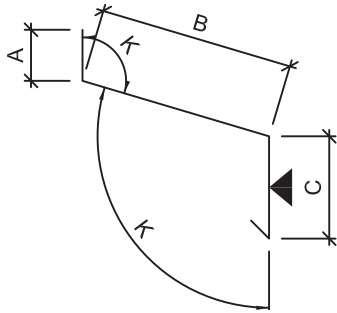
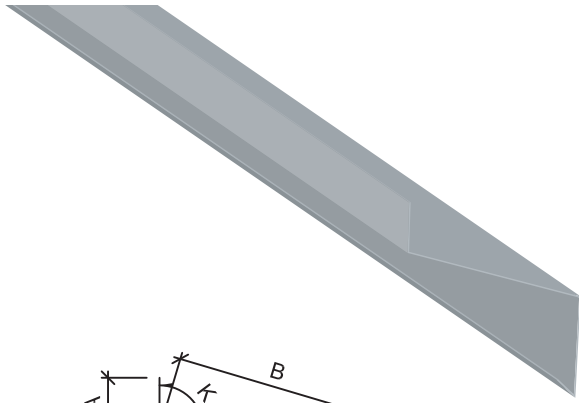
● **Materials, coatings and colours**

1,0 mm	Steel Cor-Ten A
--------	-----------------

Minimum order sizes:  
 - no limitations

● **Intended use**

To cover the transition point of plinth and the wall of building



● **Product properties**

Product name	<b>Sill flashing CA1S1X</b>
Standard length	3000 mm
Special range	150–4000 mm
Band width	Depends on A, B, C measures
Minimum values	A: 10 B: 12 C: 15
Weight	-
Unit	m <sup>2</sup>

● **Materials, coatings and colours**

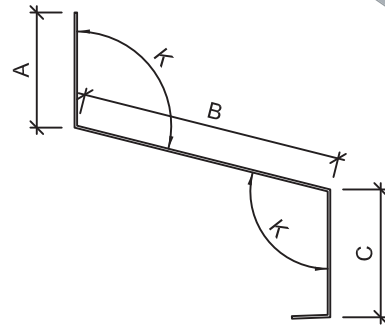
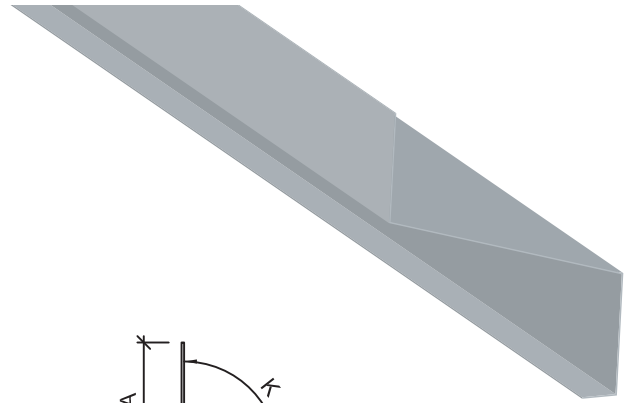
0,6 mm	Steel
0,7 mm	Aluminum

	Colour chart	Coating	Colour
Steel	Standard chart	HIARC	RR20, RR21, RR22, RR23, RR40, RR41, RR45
		HIARC Matt	RR40, RR41, RR45
	Colourful chart	HIARC & Powder paint	RR11, RR24, RR26, RR29, RR30, RR31, RR32, RR33, RR34, RR35, RR36, RR37, RR42, RR43, RR44, RR750
Powder paint		RAL and NCS colours available by request	
Aluminum	Colourful chart	PVDF	RAL and NCS colours available by request
		Powder paint	RR, RAL and NCS colours available by request

Minimum order sizes:  
 - Standard chart: no limitations  
 - Colorful chart: decided on a project basis

● **Intended use**

To cover the lower transition point of window and wall of the building



● **Product properties**

Product name	<b>Sill flashing CA1S2X</b>
Standard length	3000 mm
Special range	150–4000 mm
Band width	Depends on A, B, C measures
Minimum values	A: 12 B: 12 C: 12
Weight	-
Unit	m <sup>2</sup>

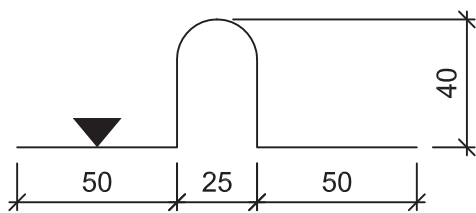
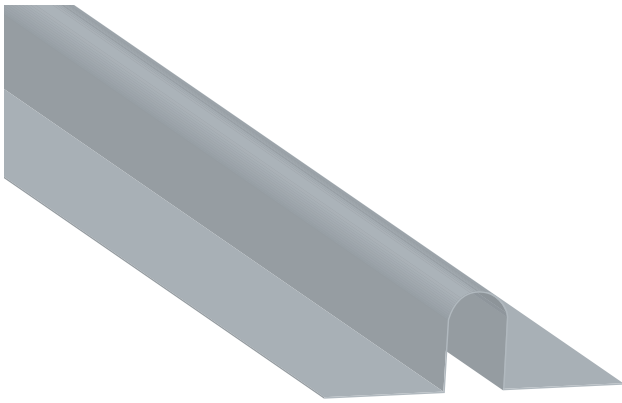
● **Materials, coatings and colours**

1,0 mm	Steel Cor-Ten A
--------	-----------------

Minimum order sizes:  
 - no limitations

● **Intended use**

To cover the lower transition point of window and wall of the building. Used in case of Cor-Ten cladding.



● **Product properties**

Product name	<b>Vertical joint flashing CA1VJ1</b>
Standard length	3000 mm
Special range	150–4000 mm
Band width	192 mm
Weight	0,90 kg/m (steel)
Unit	m

● **Materials, coatings and colours**

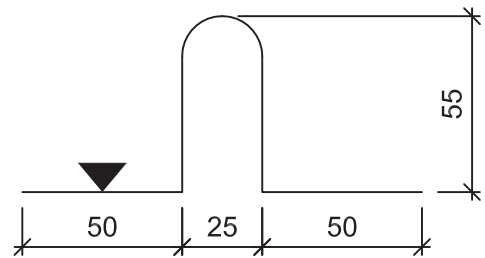
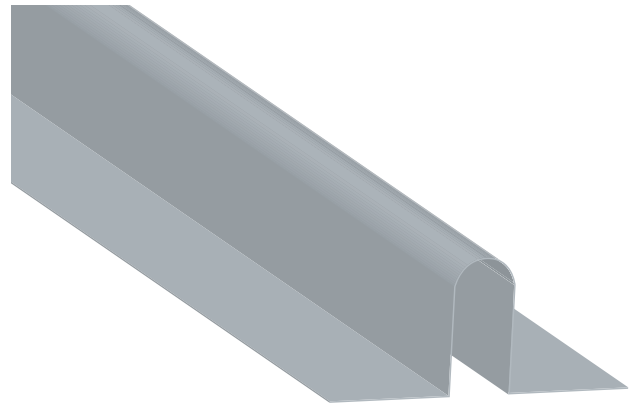
0,6 mm	Steel
0,7 mm	Aluminum

	Colour chart	Coating	Colour
Steel	Standard chart	HIARC	RR20, RR21, RR22, RR23, RR40, RR41, RR45
		HIARC Matt	RR40, RR41, RR45
	Colourful chart	HIARC & Powder paint	RR11, RR24, RR26, RR29, RR30, RR31, RR32, RR33, RR34, RR35, RR36, RR37, RR42, RR43, RR44, RR750
		Powder paint	RAL and NCS colours available by request
Aluminum	Colourful chart	PVDF	RAL and NCS colours available by request
		Powder paint	RR, RAL and NCS colours available by request

- Minimum order sizes:
- Standard chart: no limitations
  - Colorful chart: decided on a project basis

● **Intended use**

Mounted in the vertical joints between design profiles



● **Product properties**

Product name	<b>Vertical joint flashing CA1VJ2</b>
Standard length	3000 mm
Special range	150–4000 mm
Band width	222 mm
Weight	1,0 kg/m (steel)
Unit	m

● **Materials, coatings and colours**

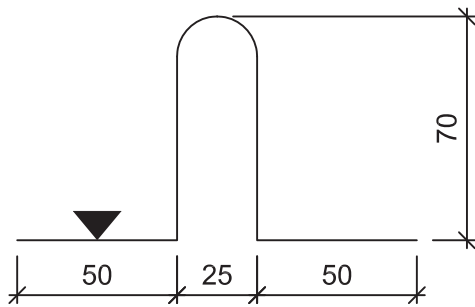
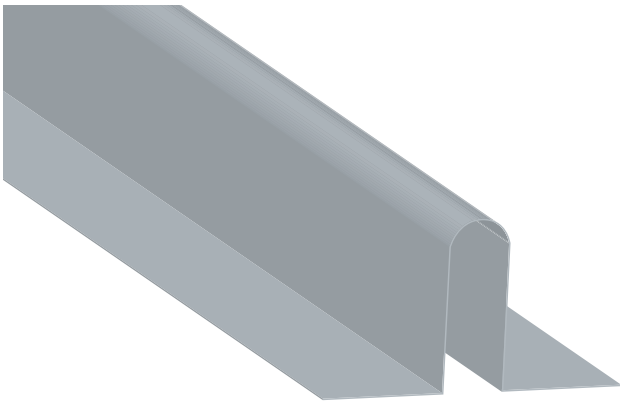
0,6 mm	Steel
0,7 mm	Aluminum

	Colour chart	Coating	Colour
Steel	Standard chart	HIARC	RR20, RR21, RR22, RR23, RR40, RR41, RR45
		HIARC Matt	RR40, RR41, RR45
	Colourful chart	HIARC & Powder paint	RR11, RR24, RR26, RR29, RR30, RR31, RR32, RR33, RR34, RR35, RR36, RR37, RR42, RR43, RR44, RR750
		Powder paint	RAL and NCS colours available by request
Aluminum	Colourful chart	PVDF	RAL and NCS colours available by request
		Powder paint	RR, RAL and NCS colours available by request

- Minimum order sizes:
- Standard chart: no limitations
  - Colorful chart: decided on a project basis

● **Intended use**

Mounted in the vertical joints between design profiles



● **Product properties**

Product name	<b>Vertical joint flashing CA1VJ3</b>
Standard length	3000 mm
Special range	150–4000 mm
Band width	252 mm
Weight	1,2 kg/m (steel)
Unit	m

● **Materials, coatings and colours**

0,6 mm	Steel
0,7 mm	Aluminum

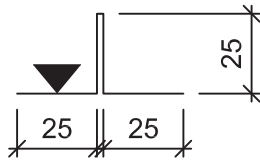
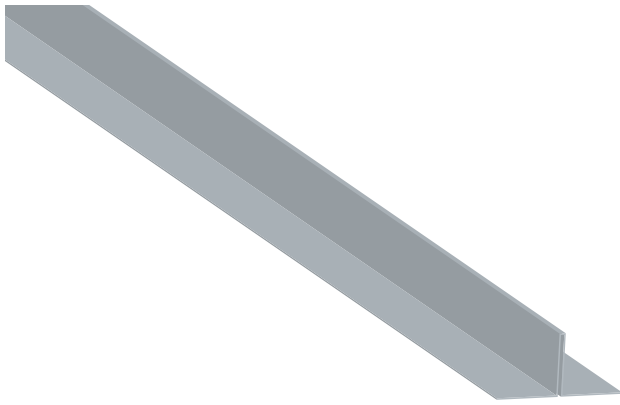
	Colour chart	Coating	Colour
Steel	Standard chart	HIARC	RR20, RR21, RR22, RR23, RR40, RR41, RR45
		HIARC Matt	RR40, RR41, RR45
	Colourful chart	HIARC & Powder paint	RR11, RR24, RR26, RR29, RR30, RR31, RR32, RR33, RR34, RR35, RR36, RR37, RR42, RR43, RR44, RR750
		Powder paint	RAL and NCS colours available by request
Aluminum	Colourful chart	PVDF	RAL and NCS colours available by request
		Powder paint	RR, RAL and NCS colours available by request

Minimum order sizes:

- Standard chart: no limitations
- Colorful chart: decided on a project basis

● **Intended use**

Mounted in the vertical joints between design profiles



● **Product properties**

Product name	<b>Vertical joint flashing CA1VJ4</b>
Standard length	3000 mm
Special range	150–4000 mm
Band width	100 mm
Weight	0,47 kg/m (steel)
Unit	m

● **Materials, coatings and colours**

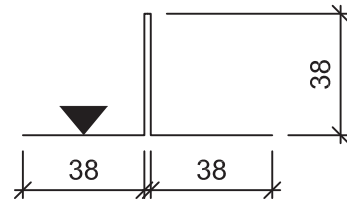
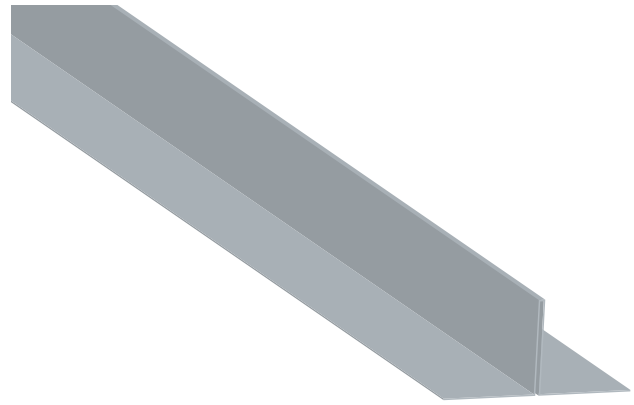
0,6 mm	Steel
0,7 mm	Aluminum

	Colour chart	Coating	Colour
Steel	Standard chart	HIARC	RR20, RR21, RR22, RR23, RR40, RR41, RR45
		HIARC Matt	RR40, RR41, RR45
	Colourful chart	HIARC & Powder paint	RR11, RR24, RR26, RR29, RR30, RR31, RR32, RR33, RR34, RR35, RR36, RR37, RR42, RR43, RR44, RR750
		Powder paint	RAL and NCS colours available by request
Aluminum	Colourful chart	PVDF	RAL and NCS colours available by request
		Powder paint	RR, RAL and NCS colours available by request

Minimum order sizes:  
 - Standard chart: no limitations  
 - Colorful chart: decided on a project basis

● **Intended use**

Mounted in the vertical joints between cladding lamellas



● **Product properties**

Product name	<b>Vertical joint flashing CA1VJ5</b>
Standard length	3000 mm
Special range	150–4000 mm
Band width	152 mm
Weight	0,72 kg/m
Unit	m

● **Materials, coatings and colours**

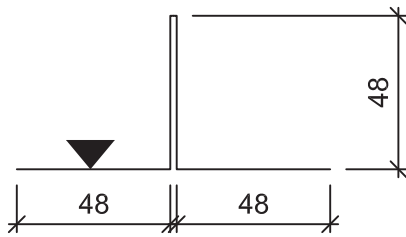
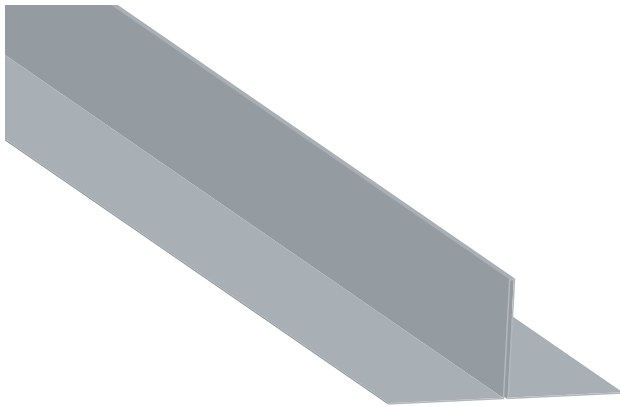
0,6 mm	Steel
0,7 mm	Aluminum

	Colour chart	Coating	Colour
Steel	Standard chart	HIARC	RR20, RR21, RR22, RR23, RR40, RR41, RR45
		HIARC Matt	RR40, RR41, RR45
	Colourful chart	HIARC & Powder paint	RR11, RR24, RR26, RR29, RR30, RR31, RR32, RR33, RR34, RR35, RR36, RR37, RR42, RR43, RR44, RR750
		Powder paint	RAL and NCS colours available by request
Aluminum	Colourful chart	PVDF	RAL and NCS colours available by request
		Powder paint	RR, RAL and NCS colours available by request

Minimum order sizes:  
 - Standard chart: no limitations  
 - Colorful chart: decided on a project basis

● **Intended use**

Mounted in the vertical joints between cladding lamellas



● **Product properties**

Product name	<b>Vertical joint flashing CA1VJ6</b>
Standard length	3000 mm
Special range	150–4000 mm
Band width	192 mm
Weight	0,90 kg/m
Unit	m

● **Materials, coatings and colours**

0,6 mm	Steel
0,7 mm	Aluminum

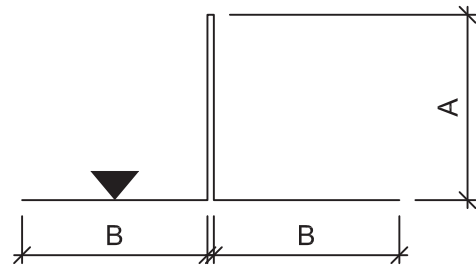
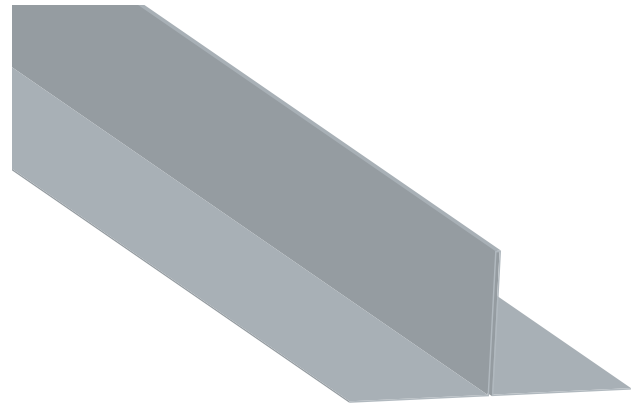
	Colour chart	Coating	Colour
Steel	Standard chart	HIARC	RR20, RR21, RR22, RR23, RR40, RR41, RR45
		HIARC Matt	RR40, RR41, RR45
	Colourful chart	HIARC & Powder paint	RR11, RR24, RR26, RR29, RR30, RR31, RR32, RR33, RR34, RR35, RR36, RR37, RR42, RR43, RR44, RR750
Powder paint		RAL and NCS colours available by request	
Aluminum	Colourful chart	PVDF	RAL and NCS colours available by request
		Powder paint	RR, RAL and NCS colours available by request

Minimum order sizes:

- Standard chart: no limitations
- Colourful chart: decided on a project basis

● **Intended use**

Mounted in the vertical joints between cladding lamellas



● **Product properties**

Product name	<b>Vertical joint flashing CA1VJ7X</b>
Standard length	3000 mm
Special range	150–4000 mm
Band width	Depends on A, B measures
Minimum values	A: 20 B: 12
Maximum values	B: 55
Weight	-
Unit	m <sup>2</sup>

● **Materials, coatings and colours**

0,6 mm	Steel
0,7 mm	Aluminum

	Colour chart	Coating	Colour
Steel	Standard chart	HIARC	RR20, RR21, RR22, RR23, RR40, RR41, RR45
		HIARC Matt	RR40, RR41, RR45
	Colourful chart	HIARC & Powder paint	RR11, RR24, RR26, RR29, RR30, RR31, RR32, RR33, RR34, RR35, RR36, RR37, RR42, RR43, RR44, RR750
Powder paint		RAL and NCS colours available by request	
Aluminum	Colourful chart	PVDF	RAL and NCS colours available by request
		Powder paint	RR, RAL and NCS colours available by request

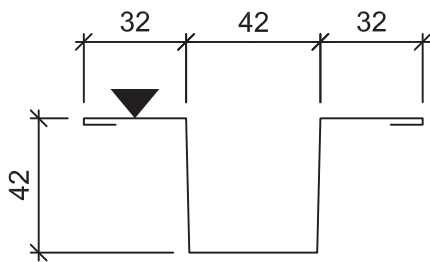
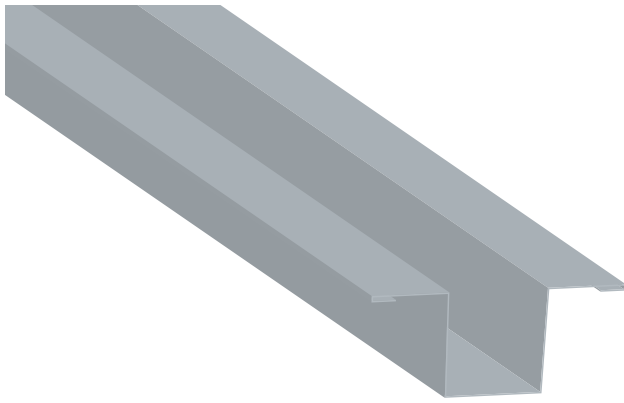
Minimum order sizes:

- Standard chart: no limitations
- Colourful chart: decided on a project basis

● **Intended use**

Mounted in the vertical joints between cladding lamellas





● **Product properties**

Product name	<b>Vertical joint flashing CA1VJ18</b>
Standard length	3000 mm
Special range	150–4000 mm
Band width	208 mm
Weight	0,89 kg/m (steel)
Unit	m

● **Materials, coatings and colours**

0,6 mm	Steel
0,7 mm	Aluminum

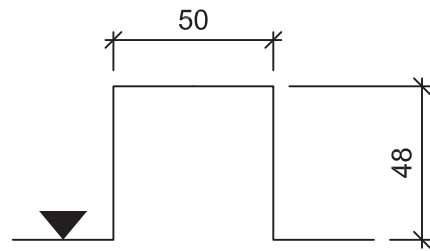
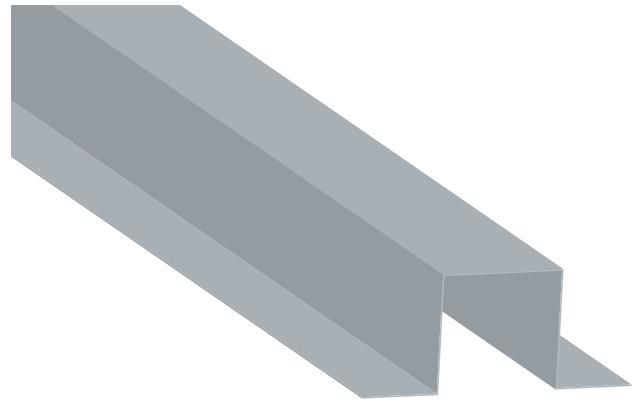
	Colour chart	Coating	Colour
Steel	Standard chart	HIARC	RR20, RR21, RR22, RR23, RR40, RR41, RR45
		HIARC Matt	RR40, RR41, RR45
	Colourful chart	HIARC & Powder paint	RR11, RR24, RR26, RR29, RR30, RR31, RR32, RR33, RR34, RR35, RR36, RR37, RR42, RR43, RR44, RR750
		Powder paint	RAL and NCS colours available by request
Aluminum	Colourful chart	PVDF	RAL and NCS colours available by request
		Powder paint	RR, RAL and NCS colours available by request

Minimum order sizes:

- Standard chart: no limitations
- Colorful chart: decided on a project basis

● **Intended use**

Mounted in the vertical joints between cladding lamellas



● **Product properties**

Product name	<b>Vertical joint flashing CA1VJ14</b>
Standard length	3000 mm
Special range	150–4000 mm
Band width	210 mm
Weight	0,99 kg/m (steel)
Unit	m

● **Materials, coatings and colours**

0,6 mm	Steel
0,7 mm	Aluminum

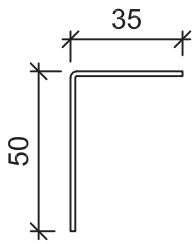
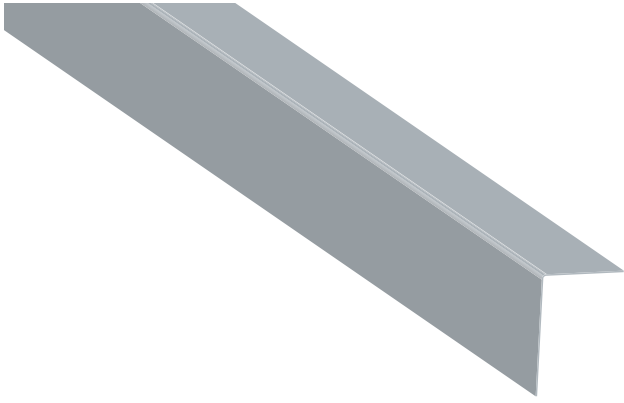
	Colour chart	Coating	Colour
Steel	Standard chart	HIARC	RR20, RR21, RR22, RR23, RR40, RR41, RR45
		HIARC Matt	RR40, RR41, RR45
	Colourful chart	HIARC & Powder paint	RR11, RR24, RR26, RR29, RR30, RR31, RR32, RR33, RR34, RR35, RR36, RR37, RR42, RR43, RR44, RR750
		Powder paint	RAL and NCS colours available by request
Aluminum	Colourful chart	PVDF	RAL and NCS colours available by request
		Powder paint	RR, RAL and NCS colours available by request

Minimum order sizes:

- Standard chart: no limitations
- Colorful chart: decided on a project basis

● **Intended use**

Mounted in the vertical joints between cladding lamellas



- **Product properties**

Product name	<b>Vertical joint flashing CA1VJ16</b>
Standard length	3000 mm
Special range	150–4000 mm
Band width	82 mm
Weight	0,97 kg/m
Unit	m

- **Materials, coatings and colours**

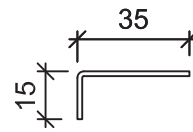
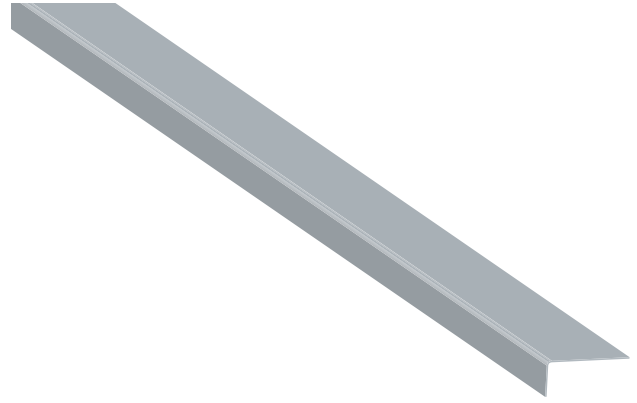
1,5 mm steel Cor-Ten A

Minimum order sizes:

- no limitations

- **Intended use**

Mounted in the vertical joints between Cor-ten 30 lamellas



- **Product properties**

Product name	<b>Vertical joint flashing CA1VJ17</b>
Standard length	3000 mm
Special range	150–4000 mm
Band width	47 mm
Weight	0,55 kg/m
Unit	m

- **Materials, coatings and colours**

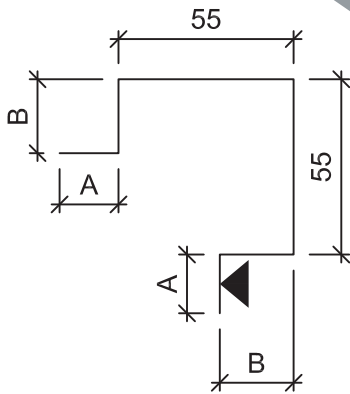
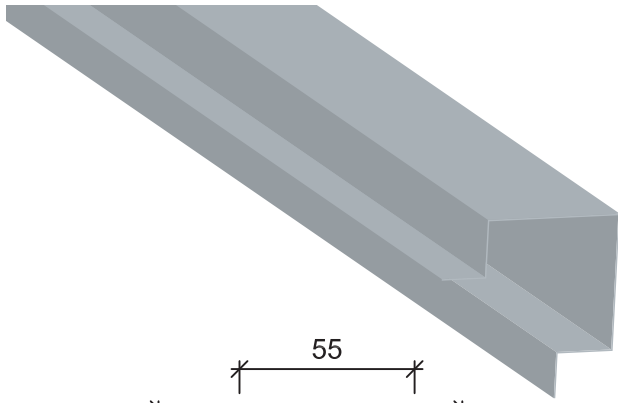
1,5 mm steel Cor-Ten A

Minimum order sizes:

- no limitations

- **Intended use**

Mounted in the vertical joints between Cor-ten S7 design profiles



● **Product properties**

Product name	<b>External corner flashing CA1EC1X</b>
Standard length	3000 mm
Special range	150–4000 mm
Band width	Depends on A, B measures
Minimum values	A: 10 B: 12
Weight	-
Unit	m <sup>2</sup>

● **Materials, coatings and colours**

0,6 mm	Steel
0,7 mm	Aluminum

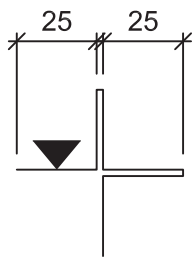
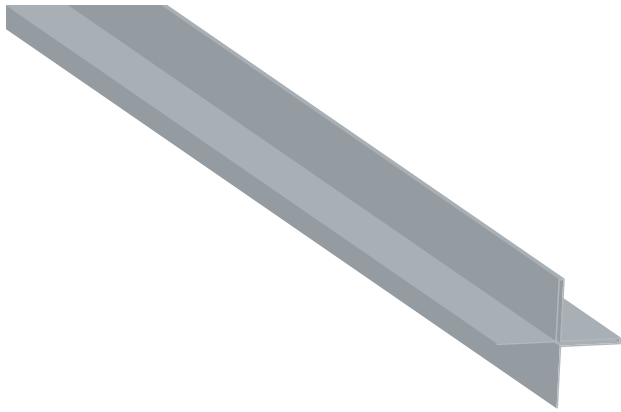
	Colour chart	Coating	Colour
Steel	Standard chart	HIARC	RR20, RR21, RR22, RR23, RR40, RR41, RR45
		HIARC Matt	RR40, RR41, RR45
	Colourful chart	HIARC & Powder paint	RR11, RR24, RR26, RR29, RR30, RR31, RR32, RR33, RR34, RR35, RR36, RR37, RR42, RR43, RR44, RR750
		Powder paint	RAL and NCS colours available by request
Aluminum	Colourful chart	PVDF	RAL and NCS colours available by request
		Powder paint	RR, RAL and NCS colours available by request

Minimum order sizes:

- Standard chart: no limitations
- Colorful chart: decided on a project basis

● **Intended use**

To cover the external corner joints of design profiles.



● **Product properties**

Product name	<b>External corner flashing CA1EC4</b>
Standard length	3000 mm
Special range	150–4000 mm
Band width	150 mm
Weight	0,71 kg/m (steel)
Unit	m

● **Materials, coatings and colours**

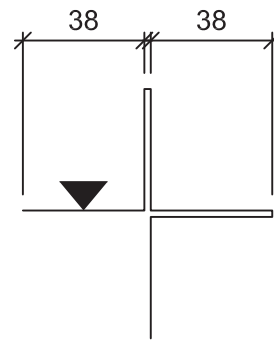
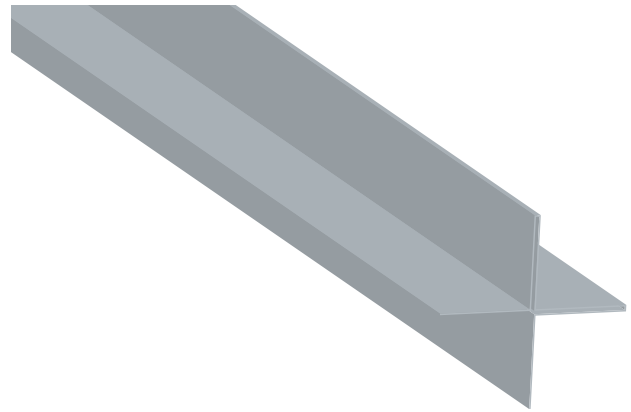
0,6 mm	Steel
0,7 mm	Aluminum

	Colour chart	Coating	Colour
Steel	Standard chart	HIARC	RR20, RR21, RR22, RR23, RR40, RR41, RR45
		HIARC Matt	RR40, RR41, RR45
	Colourful chart	HIARC & Powder paint	RR11, RR24, RR26, RR29, RR30, RR31, RR32, RR33, RR34, RR35, RR36, RR37, RR42, RR43, RR44, RR750
		Powder paint	RAL and NCS colours available by request
Aluminum	Colourful chart	PVDF	RAL and NCS colours available by request
		Powder paint	RR, RAL and NCS colours available by request

Minimum order sizes:  
 - Standard chart: no limitations  
 - Colorful chart: decided on a project basis

● **Intended use**

To fill the external corner joints of cladding lamellas



● **Product properties**

Product name	<b>External corner flashing CA1EC5</b>
Standard length	3000 mm
Special range	150–4000 mm
Band width	228 mm
Weight	1,1 kg/m (steel)
Unit	m

● **Materials, coatings and colours**

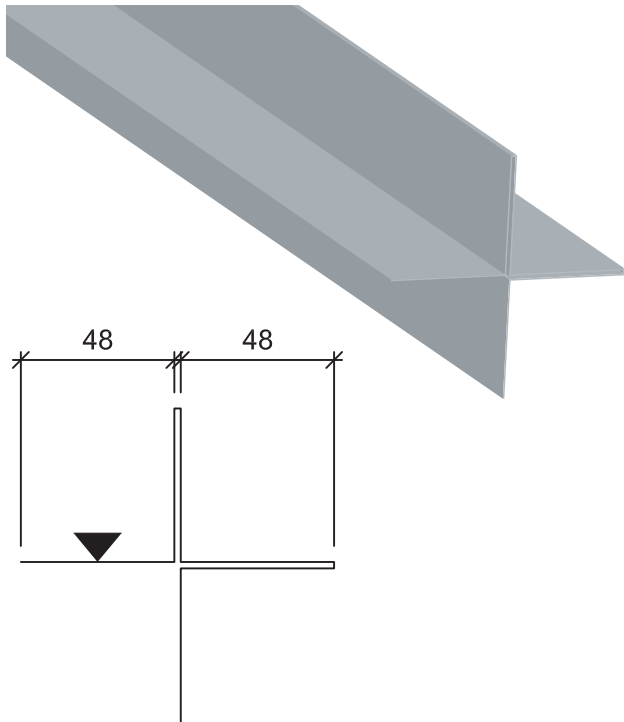
0,6 mm	Steel
0,7 mm	Aluminum

	Colour chart	Coating	Colour
Steel	Standard chart	HIARC	RR20, RR21, RR22, RR23, RR40, RR41, RR45
		HIARC Matt	RR40, RR41, RR45
	Colourful chart	HIARC & Powder paint	RR11, RR24, RR26, RR29, RR30, RR31, RR32, RR33, RR34, RR35, RR36, RR37, RR42, RR43, RR44, RR750
		Powder paint	RAL and NCS colours available by request
Aluminum	Colourful chart	PVDF	RAL and NCS colours available by request
		Powder paint	RR, RAL and NCS colours available by request

Minimum order sizes:  
 - Standard chart: no limitations  
 - Colorful chart: decided on a project basis

● **Intended use**

To fill the external corner joints of cladding lamellas



● **Product properties**

Product name	<b>External corner flashing CA1EC6</b>
Standard length	3000 mm
Special range	150–4000 mm
Band width	288 mm
Weight	1,4 kg/m
Unit	m

● **Materials, coatings and colours**

0,6 mm	Steel
0,7 mm	Aluminum

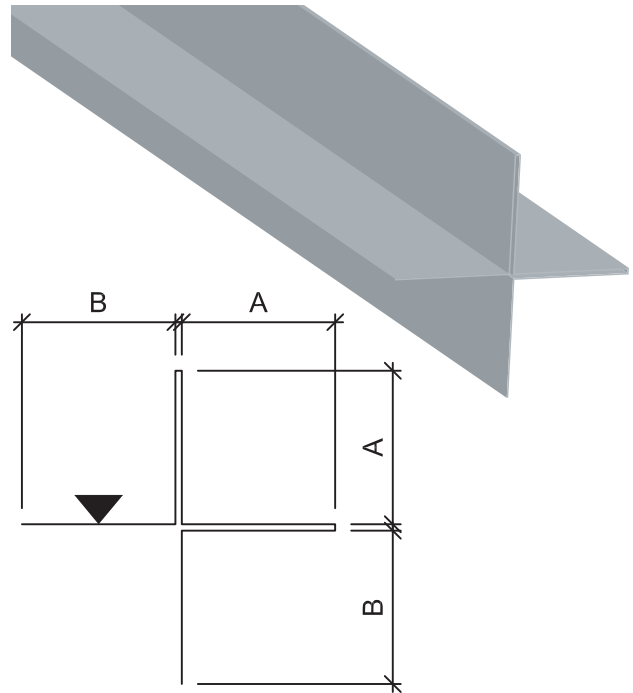
	Colour chart	Coating	Colour
Steel	Standard chart	HIARC	RR20, RR21, RR22, RR23, RR40, RR41, RR45
		HIARC Matt	RR40, RR41, RR45
	Colourful chart	HIARC & Powder paint	RR11, RR24, RR26, RR29, RR30, RR31, RR32, RR33, RR34, RR35, RR36, RR37, RR42, RR43, RR44, RR750
Powder paint		RAL and NCS colours available by request	
Aluminum	Colourful chart	PVDF	RAL and NCS colours available by request
		Powder paint	RR, RAL and NCS colours available by request

Minimum order sizes:

- Standard chart: no limitations
- Colourful chart: decided on a project basis

● **Intended use**

To fill the external corner joints of cladding lamellas



● **Product properties**

Product name	<b>External corner flashing CA1EC7X</b>
Standard length	3000 mm
Special range	150–4000 mm
Band width	Depends on A, B measures
Minimum values	A: 20 B: 12
Maximum values	B: 55
Weight	-
Unit	m <sup>2</sup>

● **Materials, coatings and colours**

0,6 mm	Steel
0,7 mm	Aluminum

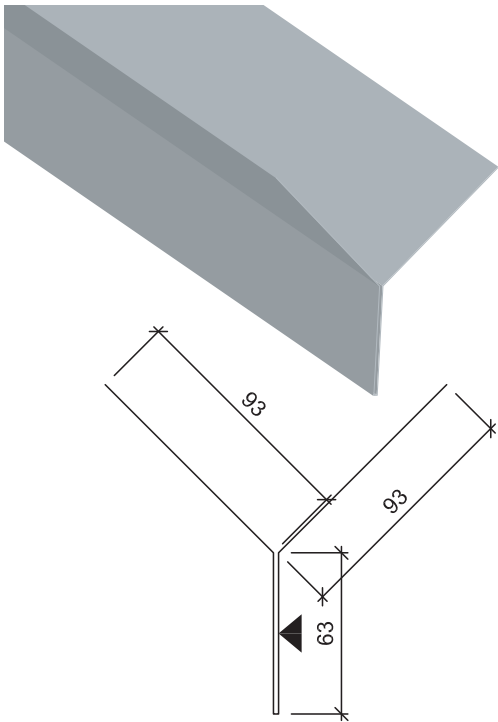
	Colour chart	Coating	Colour
Steel	Standard chart	HIARC	RR20, RR21, RR22, RR23, RR40, RR41, RR45
		HIARC Matt	RR40, RR41, RR45
	Colourful chart	HIARC & Powder paint	RR11, RR24, RR26, RR29, RR30, RR31, RR32, RR33, RR34, RR35, RR36, RR37, RR42, RR43, RR44, RR750
Powder paint		RAL and NCS colours available by request	
Aluminum	Colourful chart	PVDF	RAL and NCS colours available by request
		Powder paint	RR, RAL and NCS colours available by request

Minimum order sizes:

- Standard chart: no limitations
- Colourful chart: decided on a project basis

● **Intended use**

To fill the external corner joints of cladding lamellas



● **Product properties**

Product name	<b>External corner flashing CA1EC8</b>
Standard length	3000 mm
Special range	150–4000 mm
Band width	312 mm
Weight	1,5 kg/m (steel)
Unit	m

● **Materials, coatings and colours**

0,6 mm	Steel
0,7 mm	Aluminum

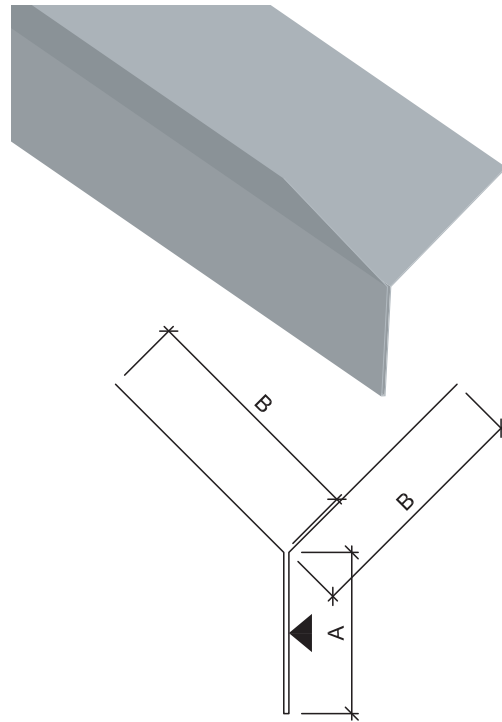
	Colour chart	Coating	Colour
Steel	Standard chart	HIARC	RR20, RR21, RR22, RR23, RR40, RR41, RR45
		HIARC Matt	RR40, RR41, RR45
	Colourful chart	HIARC & Powder paint	RR11, RR24, RR26, RR29, RR30, RR31, RR32, RR33, RR34, RR35, RR36, RR37, RR42, RR43, RR44, RR750
		Powder paint	RAL and NCS colours available by request
Aluminum	Colourful chart	PVDF	RAL and NCS colours available by request
		Powder paint	RR, RAL and NCS colours available by request

Minimum order sizes:

- Standard chart: no limitations
- Colorful chart: decided on a project basis

● **Intended use**

To fill the external corner joints of cladding lamellas



● **Product properties**

Product name	<b>External corner flashing CA1EC9X</b>
Standard length	3000 mm
Special range	150–4000 mm
Band width	Depends on A, B measures
Minimum values	A: 20 B: 12
Weight	-
Unit	m <sup>2</sup>

● **Materials, coatings and colours**

0,6 mm	Steel
0,7 mm	Aluminum

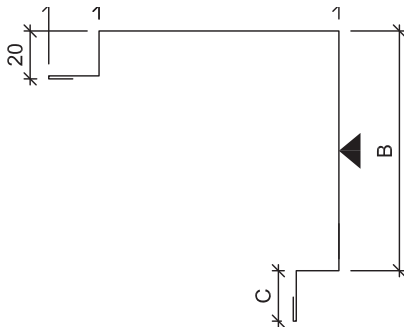
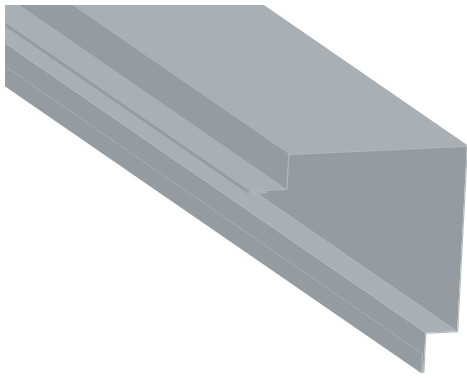
	Colour chart	Coating	Colour
Steel	Standard chart	HIARC	RR20, RR21, RR22, RR23, RR40, RR41, RR45
		HIARC Matt	RR40, RR41, RR45
	Colourful chart	HIARC & Powder paint	RR11, RR24, RR26, RR29, RR30, RR31, RR32, RR33, RR34, RR35, RR36, RR37, RR42, RR43, RR44, RR750
		Powder paint	RAL and NCS colours available by request
Aluminum	Colourful chart	PVDF	RAL and NCS colours available by request
		Powder paint	RR, RAL and NCS colours available by request

Minimum order sizes:

- Standard chart: no limitations
- Colorful chart: decided on a project basis

● **Intended use**

To fill the external corner joints of cladding lamellas



● **Product properties**

Product name	<b>External corner flashing CA1EC10X</b>
Standard length	3000 mm
Special range	150–4000 mm
Band width	Depends on A, B, C measures
Minimum values	A: 30 B: 30 C: 12
Weight	-
Unit	m <sup>2</sup>

● **Materials, coatings and colours**

0,6 mm	Steel
0,7 mm	Aluminum

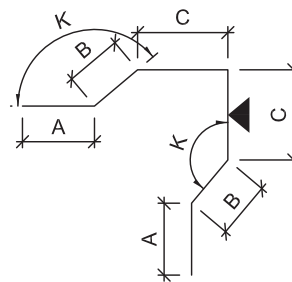
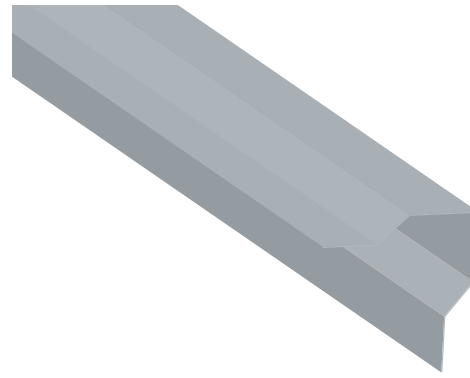
	Colour chart	Coating	Colour
Steel	Standard chart	HIARC	RR20, RR21, RR22, RR23, RR40, RR41, RR45
		HIARC Matt	RR40, RR41, RR45
	Colourful chart	HIARC & Powder paint	RR11, RR24, RR26, RR29, RR30, RR31, RR32, RR33, RR34, RR35, RR36, RR37, RR42, RR43, RR44, RR750
		Powder paint	RAL and NCS colours available by request
Aluminum	Colourful chart	PVDF	RAL and NCS colours available by request
		Powder paint	RR, RAL and NCS colours available by request

Minimum order sizes:

- Standard chart: no limitations
- Colorful chart: decided on a project basis

● **Intended use**

To cover the external corner joints of cladding lamella vertical 70



● **Product properties**

Product name	<b>External corner flashing CA1EC11X</b>
Standard length	3000 mm
Special range	150–4000 mm
Band width	Depends on A, B, C measures
Minimum values	A: 10 B: 12 C: 12
Weight	-
Unit	m <sup>2</sup>

● **Materials, coatings and colours**

0,6 mm	Steel
0,7 mm	Aluminum

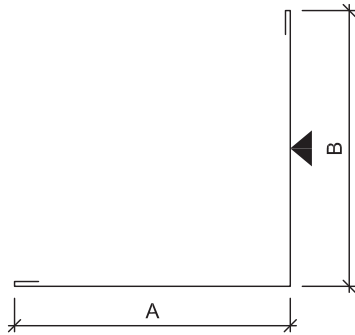
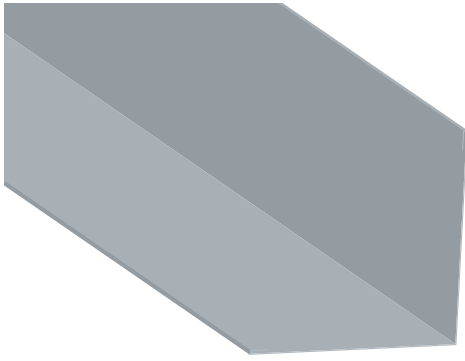
	Colour chart	Coating	Colour
Steel	Standard chart	HIARC	RR20, RR21, RR22, RR23, RR40, RR41, RR45
		HIARC Matt	RR40, RR41, RR45
	Colourful chart	HIARC & Powder paint	RR11, RR24, RR26, RR29, RR30, RR31, RR32, RR33, RR34, RR35, RR36, RR37, RR42, RR43, RR44, RR750
		Powder paint	RAL and NCS colours available by request
Aluminum	Colourful chart	PVDF	RAL and NCS colours available by request
		Powder paint	RR, RAL and NCS colours available by request

Minimum order sizes:

- Standard chart: no limitations
- Colorful chart: decided on a project basis

● **Intended use**

To cover the external corner joints of design profiles



● **Product properties**

Product name	<b>External corner flashing CA1EC12X</b>
Standard length	3000 mm
Special range	150–4000 mm
Band width	Depends on A, B measures
Minimum values	A: 12 B: 12
Weight	-
Unit	m <sup>2</sup>

● **Materials, coatings and colours**

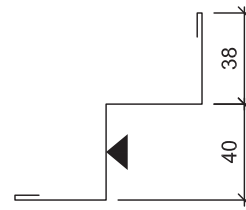
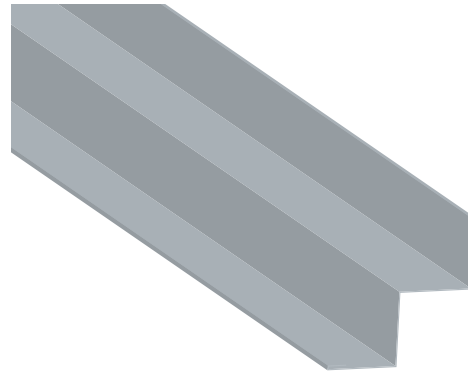
0,6 mm	Steel
0,7 mm	Aluminum

	Colour chart	Coating	Colour
Steel	Standard chart	HIARC	RR20, RR21, RR22, RR23, RR40, RR41, RR45
		HIARC Matt	RR40, RR41, RR45
	Colourful chart	HIARC & Powder paint	RR11, RR24, RR26, RR29, RR30, RR31, RR32, RR33, RR34, RR35, RR36, RR37, RR42, RR43, RR44, RR750
		Powder paint	RAL and NCS colours available by request
Aluminum	Colourful chart	PVDF	RAL and NCS colours available by request
		Powder paint	RR, RAL and NCS colours available by request

Minimum order sizes:  
 - Standard chart: no limitations  
 - Colourful chart: decided on a project basis

● **Intended use**

To cover the external corner joints of cladding lamellas



● **Product properties**

Product name	<b>External corner flashing CA1EC13</b>
Standard length	3000 mm
Special range	150–4000 mm
Band width	176 mm
Weight	0,83 kg/m (steel)
Unit	m

● **Materials, coatings and colours**

0,6 mm	Steel
0,7 mm	Aluminum

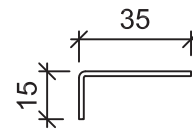
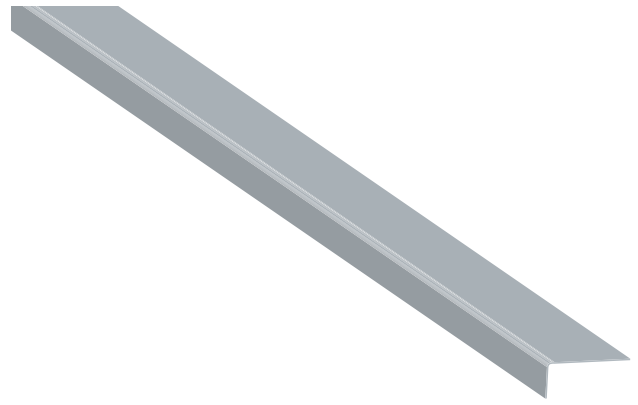
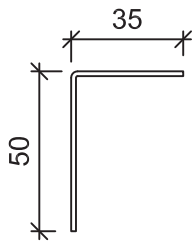
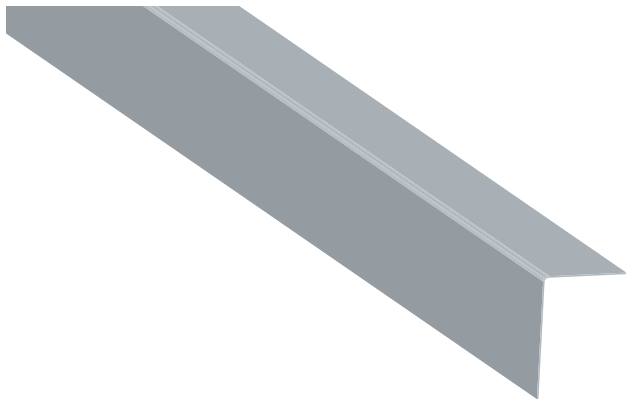
	Colour chart	Coating	Colour
Steel	Standard chart	HIARC	RR20, RR21, RR22, RR23, RR40, RR41, RR45
		HIARC Matt	RR40, RR41, RR45
	Colourful chart	HIARC & Powder paint	RR11, RR24, RR26, RR29, RR30, RR31, RR32, RR33, RR34, RR35, RR36, RR37, RR42, RR43, RR44, RR750
		Powder paint	RAL and NCS colours available by request
Aluminum	Colourful chart	PVDF	RAL and NCS colours available by request
		Powder paint	RR, RAL and NCS colours available by request

Minimum order sizes:  
 - Standard chart: no limitations  
 - Colourful chart: decided on a project basis

● **Intended use**

To cover the external corner joints of cladding lamellas





- **Product properties**

Product name	<b>External corner flashing CA1EC15</b>
Standard length	3000 mm
Special range	150–4000 mm
Band width	82 mm
Weight	0,94 kg/m
Unit	m

- **Materials, coatings and colours**

1,5 mm steel Cor-Ten A

Minimum order sizes:  
- no limitations

- **Intended use**

Mounted in the vertical corner joints between Cor-ten 30 lamellas

- **Product properties**

Product name	<b>External corner flashing CA1EC16</b>
Standard length	3000 mm
Special range	150–4000 mm
Band width	47 mm
Weight	0,55 kg/m
Unit	m

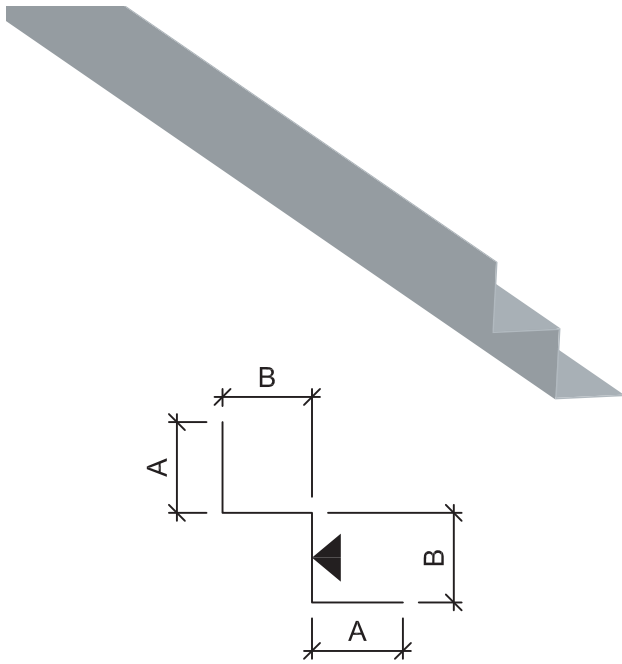
- **Materials, coatings and colours**

1,5 mm steel Cor-Ten A

Minimum order sizes:  
- no limitations

- **Intended use**

Mounted in the vertical corner joints between Cor-ten S7 design profiles



● **Product properties**

Product name	<b>Internal corner flashing CA1C1X</b>
Standard length	3000 mm
Special range	150–4000 mm
Band width	Depends on A, B measures
Minimum values	A: 10 B: 12
Weight	-
Unit	m <sup>2</sup>

● **Materials, coatings and colours**

0,6 mm	Steel
0,7 mm	Aluminum

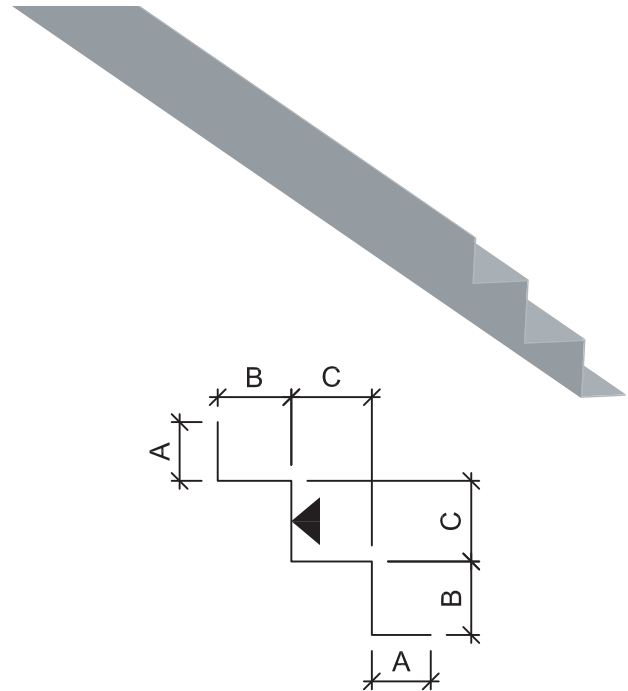
	Colour chart	Coating	Colour
Steel	Standard chart	HIARC	RR20, RR21, RR22, RR23, RR40, RR41, RR45
		HIARC Matt	RR40, RR41, RR45
	Colourful chart	HIARC & Powder paint	RR11, RR24, RR26, RR29, RR30, RR31, RR32, RR33, RR34, RR35, RR36, RR37, RR42, RR43, RR44, RR750
		Powder paint	RAL and NCS colours available by request
Aluminum	Colourful chart	PVDF	RAL and NCS colours available by request
		Powder paint	RR, RAL and NCS colours available by request

Minimum order sizes:

- Standard chart: no limitations
- Colourful chart: decided on a project basis

● **Intended use**

To cover the internal corner joints of rainscreen panels, design profiles



● **Product properties**

Product name	<b>Internal corner flashing CA1C2X</b>
Standard length	3000 mm
Special range	150–4000 mm
Band width	Depends on A, B, C measures
Minimum values	A: 10 B: 12 C: 12
Weight	-
Unit	m <sup>2</sup>

● **Materials, coatings and colours**

0,6 mm	Steel
0,7 mm	Aluminum

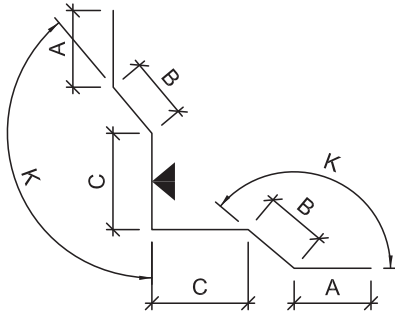
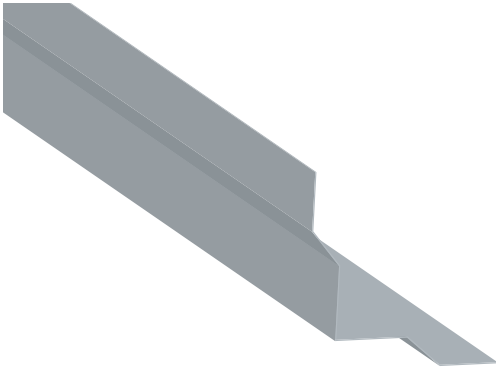
	Colour chart	Coating	Colour
Steel	Standard chart	HIARC	RR20, RR21, RR22, RR23, RR40, RR41, RR45
		HIARC Matt	RR40, RR41, RR45
	Colourful chart	HIARC & Powder paint	RR11, RR24, RR26, RR29, RR30, RR31, RR32, RR33, RR34, RR35, RR36, RR37, RR42, RR43, RR44, RR750
		Powder paint	RAL and NCS colours available by request
Aluminum	Colourful chart	PVDF	RAL and NCS colours available by request
		Powder paint	RR, RAL and NCS colours available by request

Minimum order sizes:

- Standard chart: no limitations
- Colourful chart: decided on a project basis

● **Intended use**

To cover the internal corner joints of rainscreen panels



● **Product properties**

Product name	<b>Internal corner flashing CA11C5X</b>
Standard length	3000 mm
Special range	150–4000 mm
Band width	Depends on A, B, C measures
Minimum values	A: 10 B: 12 C: 12
Weight	-
Unit	m <sup>2</sup>

● **Materials, coatings and colours**

0,6 mm	Steel
0,7 mm	Aluminum

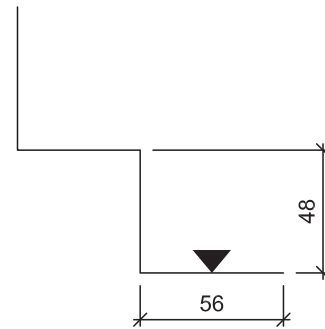
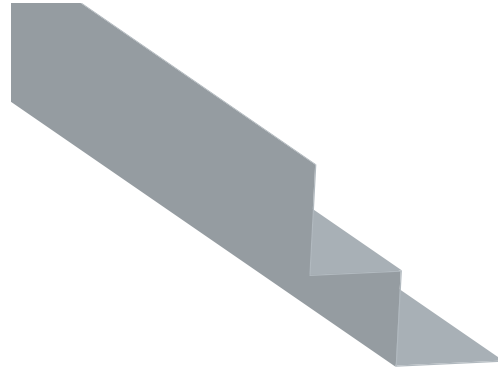
	Colour chart	Coating	Colour
Steel	Standard chart	HIARC	RR20, RR21, RR22, RR23, RR40, RR41, RR45
		HIARC Matt	RR40, RR41, RR45
	Colourful chart	HIARC & Powder paint	RR11, RR24, RR26, RR29, RR30, RR31, RR32, RR33, RR34, RR35, RR36, RR37, RR42, RR43, RR44, RR750
		Powder paint	RAL and NCS colours available by request
Aluminum	Colourful chart	PVDF	RAL and NCS colours available by request
		Powder paint	RR, RAL and NCS colours available by request

Minimum order sizes:

- Standard chart: no limitations
- Colourful chart: decided on a project basis

● **Intended use**

To cover the internal corner joints of design profiles



● **Product properties**

Product name	<b>Internal corner flashing CA11C6</b>
Standard length	3000 mm
Special range	150–4000 mm
Band width	208 mm
Weight	0,98 kg/m (steel)
Unit	m

● **Materials, coatings and colours**

0,6 mm	Steel
0,7 mm	Aluminum

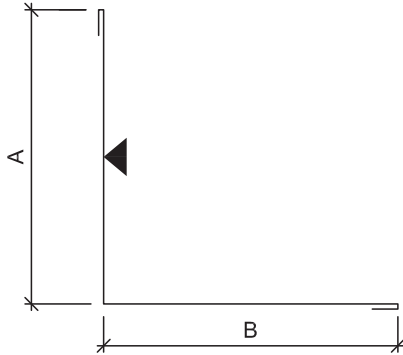
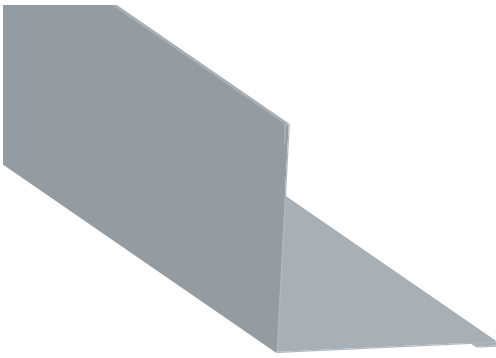
	Colour chart	Coating	Colour
Steel	Standard chart	HIARC	RR20, RR21, RR22, RR23, RR40, RR41, RR45
		HIARC Matt	RR40, RR41, RR45
	Colourful chart	HIARC & Powder paint	RR11, RR24, RR26, RR29, RR30, RR31, RR32, RR33, RR34, RR35, RR36, RR37, RR42, RR43, RR44, RR750
		Powder paint	RAL and NCS colours available by request
Aluminum	Colourful chart	PVDF	RAL and NCS colours available by request
		Powder paint	RR, RAL and NCS colours available by request

Minimum order sizes:

- Standard chart: no limitations
- Colourful chart: decided on a project basis

● **Intended use**

To cover the internal corner joints of cladding lamellas



● **Product properties**

Product name	<b>Internal corner flashing CA1C7X</b>
Standard length	3000 mm
Special range	150–4000 mm
Band width	Depends on A, B measures
Minimum values	A: 12 B: 12
Weight	-
Unit	m <sup>2</sup>

● **Materials, coatings and colours**

0,6 mm	Steel
0,7 mm	Aluminum

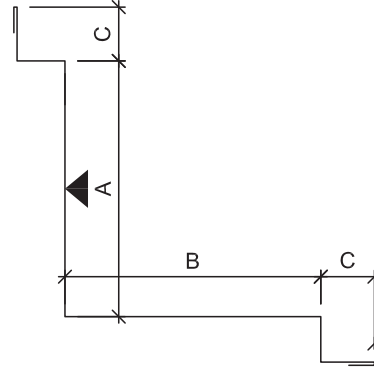
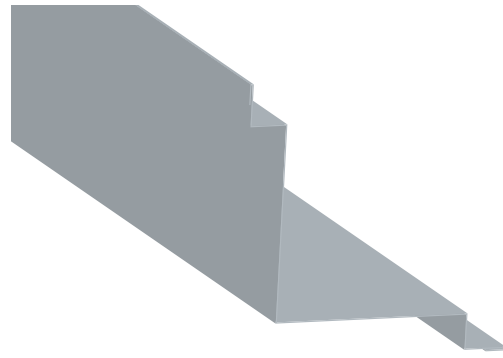
	Colour chart	Coating	Colour
Steel	Standard chart	HIARC	RR20, RR21, RR22, RR23, RR40, RR41, RR45
		HIARC Matt	RR40, RR41, RR45
	Colourful chart	HIARC & Powder paint	RR11, RR24, RR26, RR29, RR30, RR31, RR32, RR33, RR34, RR35, RR36, RR37, RR42, RR43, RR44, RR750
		Powder paint	RAL and NCS colours available by request
Aluminum	Colourful chart	PVDF	RAL and NCS colours available by request
		Powder paint	RR, RAL and NCS colours available by request

Minimum order sizes:

- Standard chart: no limitations
- Colourful chart: decided on a project basis

● **Intended use**

To cover the internal corner joints of cladding lamellas



● **Product properties**

Product name	<b>Internal corner flashing CA1C8X</b>
Standard length	3000 mm
Special range	150–4000 mm
Band width	Depends on A, B, C measures
Minimum values	A: 12 B: 12 C: 12
Weight	-
Unit	m <sup>2</sup>

● **Materials, coatings and colours**

0,6 mm	Steel
0,7 mm	Aluminum

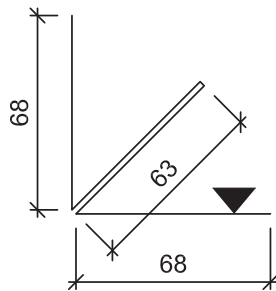
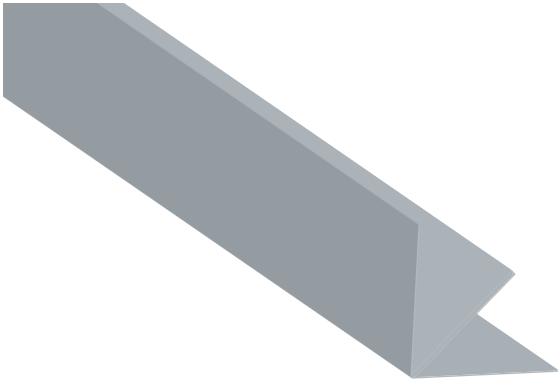
	Colour chart	Coating	Colour
Steel	Standard chart	HIARC	RR20, RR21, RR22, RR23, RR40, RR41, RR45
		HIARC Matt	RR40, RR41, RR45
	Colourful chart	HIARC & Powder paint	RR11, RR24, RR26, RR29, RR30, RR31, RR32, RR33, RR34, RR35, RR36, RR37, RR42, RR43, RR44, RR750
		Powder paint	RAL and NCS colours available by request
Aluminum	Colourful chart	PVDF	RAL and NCS colours available by request
		Powder paint	RR, RAL and NCS colours available by request

Minimum order sizes:

- Standard chart: no limitations
- Colourful chart: decided on a project basis

● **Intended use**

To cover the internal corner joints of cladding lamella vertical 70



● **Product properties**

Product name	<b>Internal corner flashing CA11C9</b>
Standard length	3000 mm
Special range	150–4000 mm
Band width	262 mm
Weight	1,2 kg/m (steel)
Unit	m

● **Materials, coatings and colours**

0,6 mm	Steel
0,7 mm	Aluminum

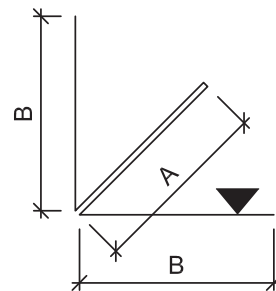
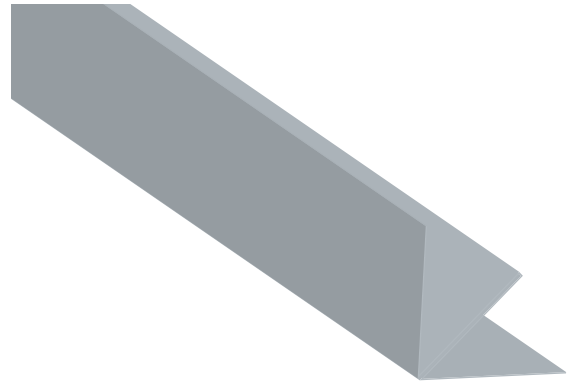
	Colour chart	Coating	Colour
Steel	Standard chart	HIARC	RR20, RR21, RR22, RR23, RR40, RR41, RR45
		HIARC Matt	RR40, RR41, RR45
	Colourful chart	HIARC & Powder paint	RR11, RR24, RR26, RR29, RR30, RR31, RR32, RR33, RR34, RR35, RR36, RR37, RR42, RR43, RR44, RR750
		Powder paint	RAL and NCS colours available by request
Aluminum	Colourful chart	PVDF	RAL and NCS colours available by request
		Powder paint	RR, RAL and NCS colours available by request

Minimum order sizes:

- Standard chart: no limitations
- Colourful chart: decided on a project basis

● **Intended use**

To cover the internal corner joints of cladding lamellas



● **Product properties**

Product name	<b>Internal corner flashing CA11C10X</b>
Standard length	3000 mm
Special range	150–4000 mm
Band width	Depends on A, B measures
Minimum values	A: 20 B: 12
Weight	-
Unit	m <sup>2</sup>

● **Materials, coatings and colours**

0,6 mm	Steel
0,7 mm	Aluminum

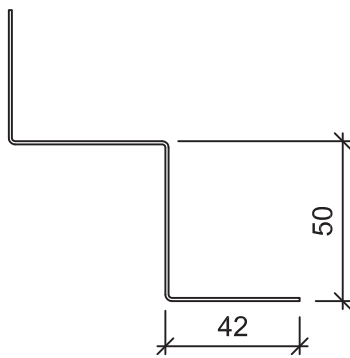
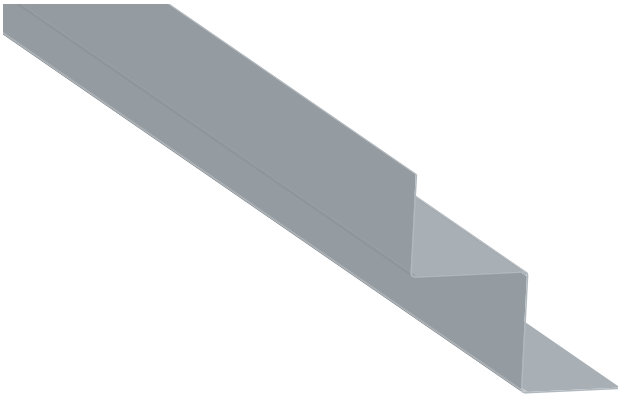
	Colour chart	Coating	Colour
Steel	Standard chart	HIARC	RR20, RR21, RR22, RR23, RR40, RR41, RR45
		HIARC Matt	RR40, RR41, RR45
	Colourful chart	HIARC & Powder paint	RR11, RR24, RR26, RR29, RR30, RR31, RR32, RR33, RR34, RR35, RR36, RR37, RR42, RR43, RR44, RR750
		Powder paint	RAL and NCS colours available by request
Aluminum	Colourful chart	PVDF	RAL and NCS colours available by request
		Powder paint	RR, RAL and NCS colours available by request

Minimum order sizes:

- Standard chart: no limitations
- Colourful chart: decided on a project basis

● **Intended use**

To cover the internal corner joints of cladding lamellas



- **Product properties**

Product name	<b>Internal corner flashing CA11C13</b>
Standard length	3000 mm
Special range	150–4000 mm
Band width	178 mm
Weight	0,83 kg/m
Unit	m

- **Materials, coatings and colours**

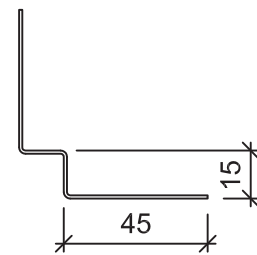
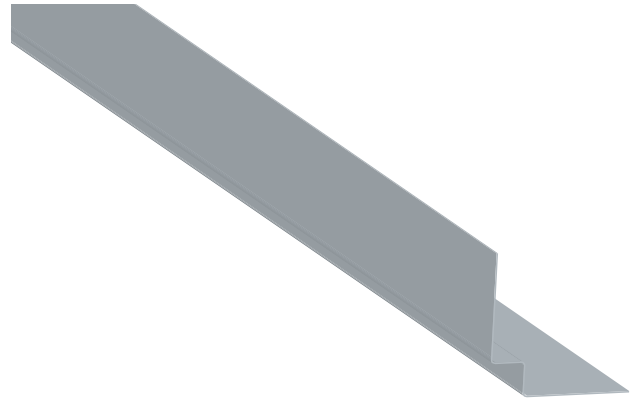
1,0 mm Steel Cor-Ten A

Minimum order sizes:

- no limitations

- **Intended use**

To cover the internal corner joints of Cor-Ten rainscreen panels



- **Product properties**

Product name	<b>Internal corner flashing CA11C14</b>
Standard length	3000 mm
Special range	150–4000 mm
Band width	114 mm
Weight	0,54 kg/m
Unit	m

- **Materials, coatings and colours**

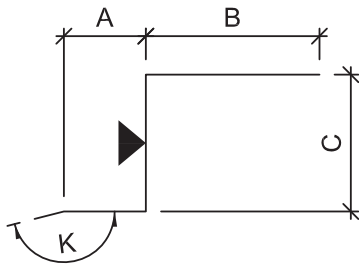
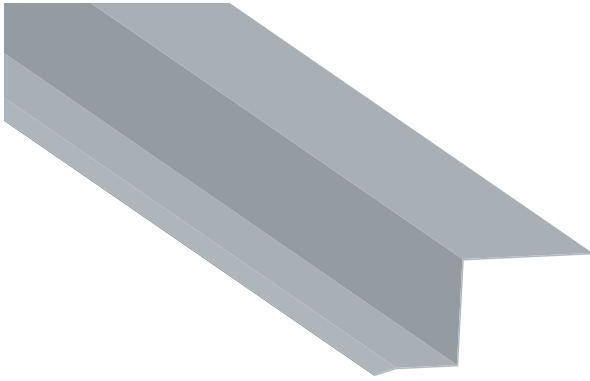
1,0 mm Steel Cor-Ten A

Minimum order sizes:

- no limitations

- **Intended use**

To cover the internal corner joints of Cor-Ten S7 design profiles



● **Product properties**

Product name	<b>Cover flashing CA1C1X</b>
Standard length	3000 mm
Special range	150–4000 mm
Band width	Depends on A, B, C measures
Minimum values	A: 12 B: 10 C: 12
Weight	-
Unit	m <sup>2</sup>

● **Materials, coatings and colours**

0,6 mm	Steel
0,7 mm	Aluminum

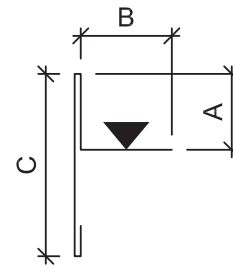
	Colour chart	Coating	Colour
Steel	Standard chart	HIARC	RR20, RR21, RR22, RR23, RR40, RR41, RR45
		HIARC Matt	RR40, RR41, RR45
	Colourful chart	HIARC & Powder paint	RR11, RR24, RR26, RR29, RR30, RR31, RR32, RR33, RR34, RR35, RR36, RR37, RR42, RR43, RR44, RR750
		Powder paint	RAL and NCS colours available by request
Aluminum	Colourful chart	PVDF	RAL and NCS colours available by request
		Powder paint	RR, RAL and NCS colours available by request

Minimum order sizes:

- Standard chart: no limitations
- Colorful chart: decided on a project basis

● **Intended use**

To cover the vertical edge of window or door in case of rainscreen panels.



● **Product properties**

Product name	<b>Cover flashing CA1C3X</b>
Standard length	3000 mm
Special range	150–4000 mm
Band width	Depends on A, B, C measures
Minimum values	A: 20 B: 10 C: 30
Weight	-
Unit	m <sup>2</sup>

● **Materials, coatings and colours**

0,6 mm	Steel
0,7 mm	Aluminum

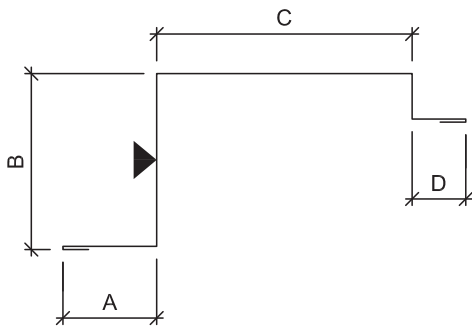
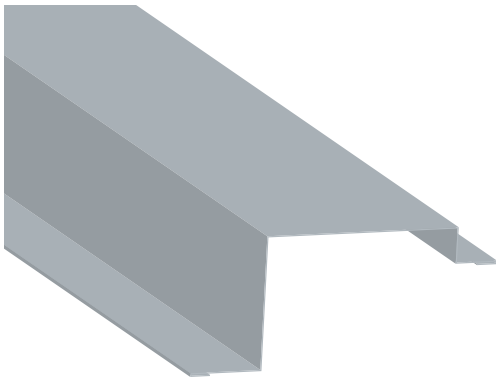
	Colour chart	Coating	Colour
Steel	Standard chart	HIARC	RR20, RR21, RR22, RR23, RR40, RR41, RR45
		HIARC Matt	RR40, RR41, RR45
	Colourful chart	HIARC & Powder paint	RR11, RR24, RR26, RR29, RR30, RR31, RR32, RR33, RR34, RR35, RR36, RR37, RR42, RR43, RR44, RR750
		Powder paint	RAL and NCS colours available by request
Aluminum	Colourful chart	PVDF	RAL and NCS colours available by request
		Powder paint	RR, RAL and NCS colours available by request

Minimum order sizes:

- Standard chart: no limitations
- Colorful chart: decided on a project basis

● **Intended use**

To cover the vertical edge of window or door in case of rainscreen panels. To cover the horizontal edge of window in case of design profiles.



● **Product properties**

Product name	<b>Cover flashing CA1C6X</b>
Standard length	3000 mm
Special range	150–4000 mm
Band width	Depends on A, B, C, D measures
Minimum values	A: 12 B: 12 C: 20 D: 12
Weight	-
Unit	m <sup>2</sup>

● **Materials, coatings and colours**

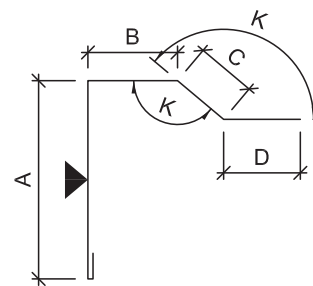
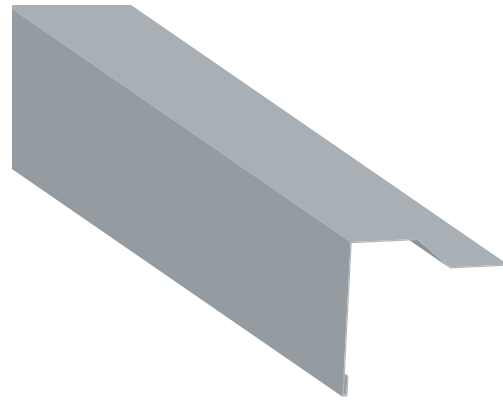
0,6 mm	Steel
0,7 mm	Aluminum

	Colour chart	Coating	Colour
Steel	Standard chart	HIARC	RR20, RR21, RR22, RR23, RR40, RR41, RR45
		HIARC Matt	RR40, RR41, RR45
	Colourful chart	HIARC & Powder paint	RR11, RR24, RR26, RR29, RR30, RR31, RR32, RR33, RR34, RR35, RR36, RR37, RR42, RR43, RR44, RR750
		Powder paint	RAL and NCS colours available by request
Aluminum	Colourful chart	PVDF	RAL and NCS colours available by request
		Powder paint	RR, RAL and NCS colours available by request

Minimum order sizes:  
 - Standard chart: no limitations  
 - Colorful chart: decided on a project basis

● **Intended use**

To cover the vertical edge of window or door in case of rainscreen panels.



● **Product properties**

Product name	<b>Cover flashing CA1C7X</b>
Standard length	3000 mm
Special range	150–4000 mm
Band width	Depends on A, B, C, D measures
Minimum values	A: 12 B: 12 C: 12 D: 10
Weight	-
Unit	m <sup>2</sup>

● **Materials, coatings and colours**

0,6 mm	Steel
0,7 mm	Aluminum

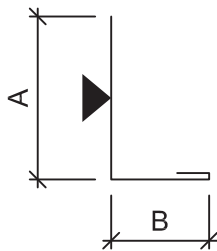
	Colour chart	Coating	Colour
Steel	Standard chart	HIARC	RR20, RR21, RR22, RR23, RR40, RR41, RR45
		HIARC Matt	RR40, RR41, RR45
	Colourful chart	HIARC & Powder paint	RR11, RR24, RR26, RR29, RR30, RR31, RR32, RR33, RR34, RR35, RR36, RR37, RR42, RR43, RR44, RR750
		Powder paint	RAL and NCS colours available by request
Aluminum	Colourful chart	PVDF	RAL and NCS colours available by request
		Powder paint	RR, RAL and NCS colours available by request

Minimum order sizes:  
 - Standard chart: no limitations  
 - Colorful chart: decided on a project basis

● **Intended use**

To cover the vertical edge of window or wall in case of design profiles





● **Product properties**

Product name	<b>Cover flashing CA1C8X</b>
Standard length	3000 mm
Special range	150–4000 mm
Band width	Depends on A, B measures
Minimum values	A: 10 B: 12
Weight	-
Unit	m <sup>2</sup>

● **Materials, coatings and colours**

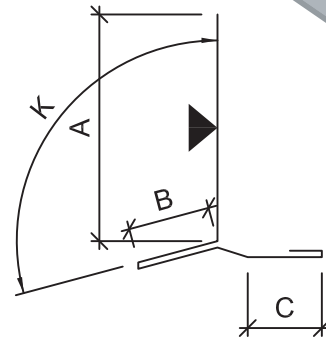
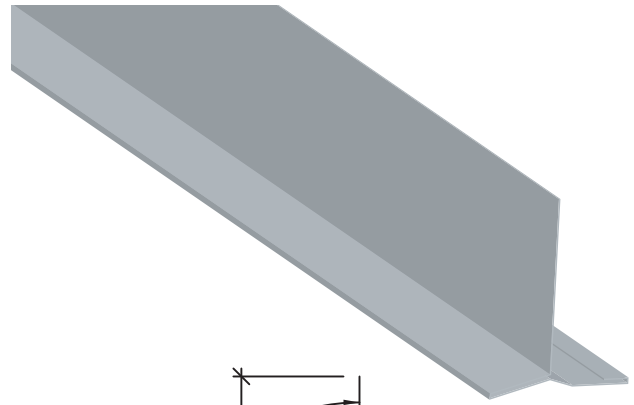
0,6 mm	Steel
0,7 mm	Aluminum

	Colour chart	Coating	Colour
Steel	Standard chart	HIARC	RR20, RR21, RR22, RR23, RR40, RR41, RR45
		HIARC Matt	RR40, RR41, RR45
	Colourful chart	HIARC & Powder paint	RR11, RR24, RR26, RR29, RR30, RR31, RR32, RR33, RR34, RR35, RR36, RR37, RR42, RR43, RR44, RR750
		Powder paint	RAL and NCS colours available by request
Aluminum	Colourful chart	PVDF	RAL and NCS colours available by request
		Powder paint	RR, RAL and NCS colours available by request

Minimum order sizes:  
 - Standard chart: no limitations  
 - Colorful chart: decided on a project basis

● **Intended use**

To cover the upper edge of door in case of rainscreen panels



● **Product properties**

Product name	<b>Cover flashing CA1C9X</b>
Standard length	3000 mm
Special range	150–4000 mm
Band width	Depends on A, B, C measures
Minimum values	A: 10 B: 20 C: 12
Weight	-
Unit	m <sup>2</sup>

● **Materials, coatings and colours**

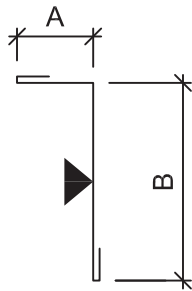
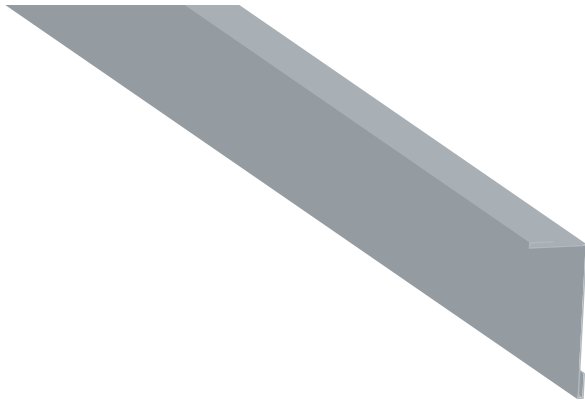
0,6 mm	Steel
0,7 mm	Aluminum

	Colour chart	Coating	Colour
Steel	Standard chart	HIARC	RR20, RR21, RR22, RR23, RR40, RR41, RR45
		HIARC Matt	RR40, RR41, RR45
	Colourful chart	HIARC & Powder paint	RR11, RR24, RR26, RR29, RR30, RR31, RR32, RR33, RR34, RR35, RR36, RR37, RR42, RR43, RR44, RR750
		Powder paint	RAL and NCS colours available by request
Aluminum	Colourful chart	PVDF	RAL and NCS colours available by request
		Powder paint	RR, RAL and NCS colours available by request

Minimum order sizes:  
 - Standard chart: no limitations  
 - Colorful chart: decided on a project basis

● **Intended use**

To cover the upper edge of door in case of rainscreen panels



● **Product properties**

Product name	<b>Cover flashing CA1C10X</b>
Standard length	3000 mm
Special range	150–4000 mm
Band width	Depends on A, B measures
Minimum values	A: 12 B: 12
Weight	-
Unit	m <sup>2</sup>

● **Materials, coatings and colours**

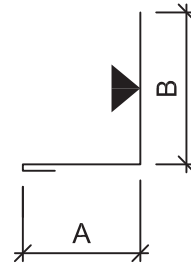
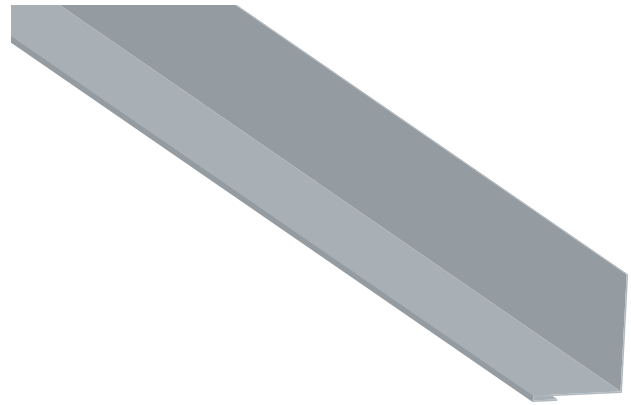
0,6 mm	Steel
0,7 mm	Aluminum

	Colour chart	Coating	Colour
Steel	Standard chart	HIARC	RR20, RR21, RR22, RR23, RR40, RR41, RR45
		HIARC Matt	RR40, RR41, RR45
	Colourful chart	HIARC & Powder paint	RR11, RR24, RR26, RR29, RR30, RR31, RR32, RR33, RR34, RR35, RR36, RR37, RR42, RR43, RR44, RR750
		Powder paint	RAL and NCS colours available by request
Aluminum	Colourful chart	PVDF	RAL and NCS colours available by request
		Powder paint	RR, RAL and NCS colours available by request

- Minimum order sizes:
- Standard chart: no limitations
  - Colorful chart: decided on a project basis

● **Intended use**

To cover the upper edge of door or window in case of rainscreen panels, design profiles of cladding lamellas



● **Product properties**

Product name	<b>Cover flashing CA1C12X</b>
Standard length	3000 mm
Special range	150–4000 mm
Band width	Depends on A, B measures
Minimum values	A: 12 B: 10
Weight	-
Unit	m <sup>2</sup>

● **Materials, coatings and colours**

0,6 mm	Steel
0,7 mm	Aluminum

	Colour chart	Coating	Colour
Steel	Standard chart	HIARC	RR20, RR21, RR22, RR23, RR40, RR41, RR45
		HIARC Matt	RR40, RR41, RR45
	Colourful chart	HIARC & Powder paint	RR11, RR24, RR26, RR29, RR30, RR31, RR32, RR33, RR34, RR35, RR36, RR37, RR42, RR43, RR44, RR750
		Powder paint	RAL and NCS colours available by request
Aluminum	Colourful chart	PVDF	RAL and NCS colours available by request
		Powder paint	RR, RAL and NCS colours available by request

- Minimum order sizes:
- Standard chart: no limitations
  - Colorful chart: decided on a project basis

● **Intended use**

To cover the vertical edge of window in case of design profiles



- **Product properties**

Product name	<b>Cover flashing CA1C13</b>
Standard length	3000 mm
Special range	150–4000 mm
Band width	78 mm
Weight	0,92 kg/m
Unit	m

- **Materials, coatings and colours**

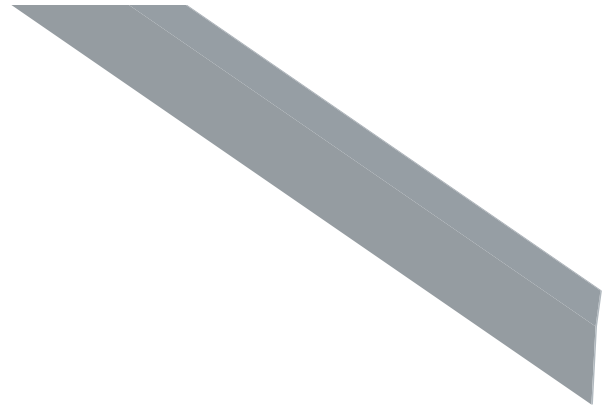
1,5 mm steel Cor-Ten A

Minimum order sizes:

- no limitations

- **Intended use**

To cover the vertical edge of door or window in case of Cor-Ten 30 cladding lamellas



- **Product properties**

Product name	<b>Cover flashing CA1C14</b>
Standard length	3000 mm
Special range	150–4000 mm
Band width	47 mm
Weight	0,50 kg/m
Unit	m

- **Materials, coatings and colours**

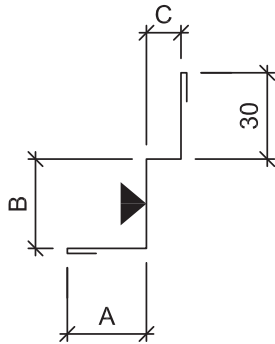
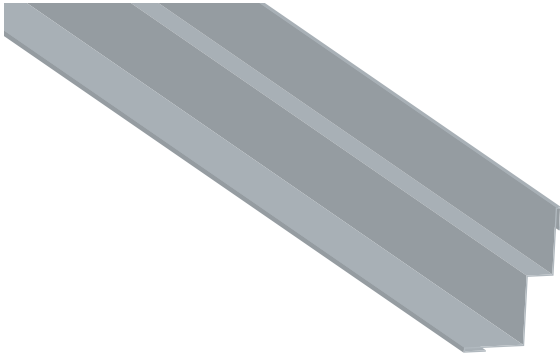
1,5 mm steel Cor-Ten A

Minimum order sizes:

- no limitations

- **Intended use**

To cover the vertical edge of door or window in case of Cor-Ten S7 design profiles



● **Product properties**

Product name	<b>Cover flashing CA1C15X</b>
Standard length	3000 mm
Special range	150–4000 mm
Band width	Depends on A, B, C measures
Minimum values	A: 12 B: 12 C: 12
Weight	-
Unit	m <sup>2</sup>

● **Materials, coatings and colours**

0,6 mm                      Steel

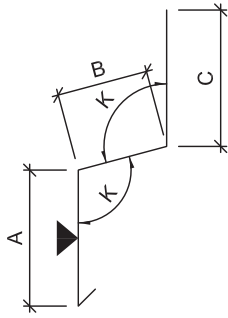
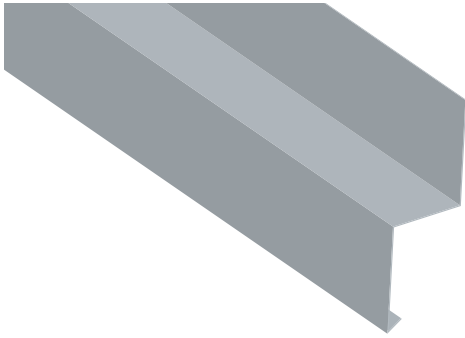
	Colour chart	Coating	Colour
Steel	Standard chart	HIARC	RR20, RR21, RR22, RR23, RR40, RR41, RR45
		HIARC Matt	RR40, RR41, RR45
	Colourful chart	HIARC & Powder paint	RR11, RR24, RR26, RR29, RR30, RR31, RR32, RR33, RR34, RR35, RR36, RR37, RR42, RR43, RR44, RR750
		Powder paint	RAL and NCS colours available by request
Aluminum	Colourful chart	PVDF	RAL and NCS colours available by request
		Powder paint	RR, RAL and NCS colours available by request

Minimum order sizes:

- Standard chart: no limitations
- Colorful chart: decided on a project basis

● **Intended use**

To cover the vertical edge of door or window.



● **Product properties**

Product name	<b>Eaves flashing CA1E1X</b>
Standard length	3000 mm
Special range	150–4000 mm
Band width	Depends on A, B, C measures
Minimum values	A: 20 B: 12 C: 10
Weight	-
Unit	m <sup>2</sup>

● **Materials, coatings and colours**

0,6 mm	Steel
0,7 mm	Aluminum

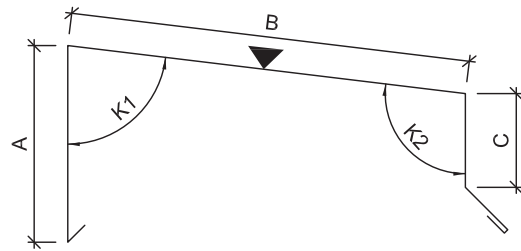
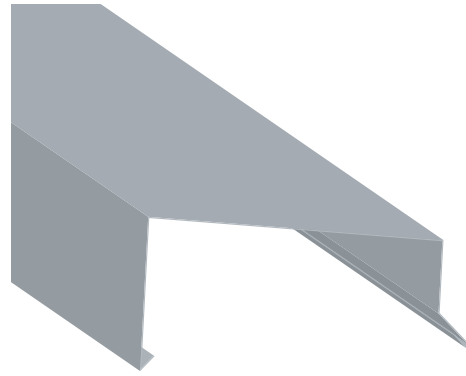
	Colour chart	Coating	Colour
Steel	Standard chart	HIARC	RR20, RR21, RR22, RR23, RR40, RR41, RR45
		HIARC Matt	RR40, RR41, RR45
	Colourful chart	HIARC & Powder paint	RR11, RR24, RR26, RR29, RR30, RR31, RR32, RR33, RR34, RR35, RR36, RR37, RR42, RR43, RR44, RR750
		Powder paint	RAL and NCS colours available by request
Aluminum	Colourful chart	PVDF	RAL and NCS colours available by request
		Powder paint	RR, RAL and NCS colours available by request

Minimum order sizes:

- Standard chart: no limitations
- Colorful chart: decided on a project basis

● **Intended use**

To cover the upper edge of rainscreen panels, gladding lamellas or design profiles underneath the side eaves



● **Product properties**

Product name	<b>Eaves flashing CA1E2X</b>
Standard length	3000 mm
Special range 1	50–4000 mm
Band width	Depends on A, B, C measures
Minimum values	A: 20 B: 40 C: 12
Weight	-
Unit	m <sup>2</sup>

● **Materials, coatings and colours**

0,6 mm	Steel
0,7 mm	Aluminum

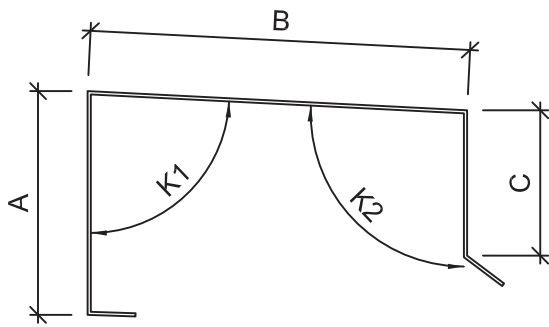
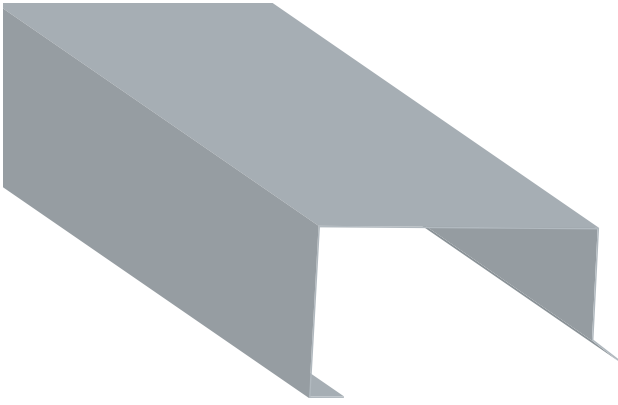
	Colour chart	Coating	Colour
Steel	Standard chart	HIARC	RR20, RR21, RR22, RR23, RR40, RR41, RR45
		HIARC Matt	RR40, RR41, RR45
	Colourful chart	HIARC & Powder paint	RR11, RR24, RR26, RR29, RR30, RR31, RR32, RR33, RR34, RR35, RR36, RR37, RR42, RR43, RR44, RR750
		Powder paint	RAL and NCS colours available by request
Aluminum	Colourful chart	PVDF	RAL and NCS colours available by request
		Powder paint	RR, RAL and NCS colours available by request

Minimum order sizes:

- Standard chart: no limitations
- Colorful chart: decided on a project basis

● **Intended use**

To cover the short eaves



- **Product properties**

Product name	<b>Eaves flashing CA1E3X</b>
Standard length	3000 mm
Special range	150–4000 mm
Band width	Depends on A, B, C measures
Minimum values	A: 20 B: 40 C: 15
Weight	-
Unit	m <sup>2</sup>

- **Materials, coatings and colours**

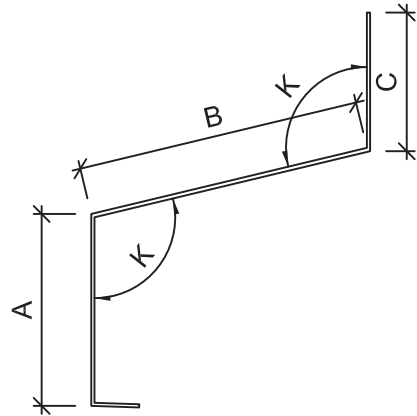
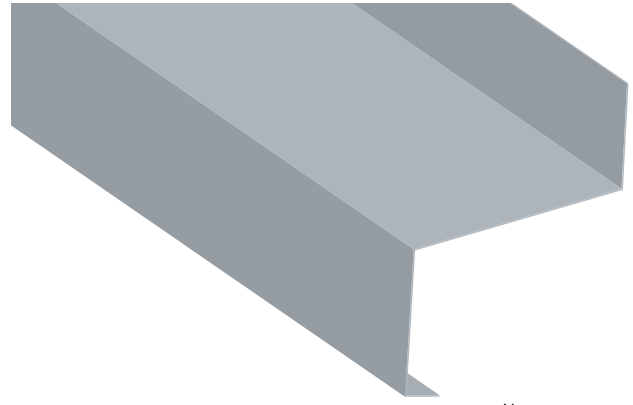
1,0 mm Steel Cor-Ten A

Minimum order sizes:

- no limitations

- **Intended use**

To cover the short eaves in case of Cor-Ten projects



- **Product properties**

Product name	<b>Eaves flashing CA1E4X</b>
Standard length	3000 mm
Special range	150–4000 mm
Band width	Depends on A, B, C measures
Minimum values	A: 12 B: 12 C: 12
Weight	-
Unit	m <sup>2</sup>

- **Materials, coatings and colours**

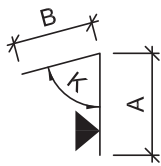
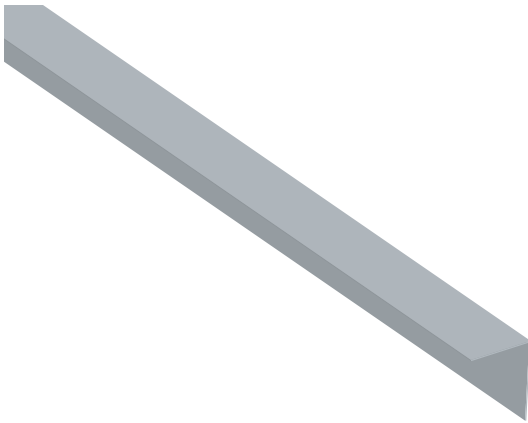
1,0 mm Steel Cor-Ten A

Minimum order sizes:

- no limitations

- **Intended use**

To cover the upper edge of rainscreen panels, gladding lamellas or design profiles underneath the side eaves in case of Cor-Ten projects



● **Product properties**

Product name	<b>Storm flashing CA1ST1X</b>
Standard length	3000 mm
Special range	150–4000 mm
Band width	Depends on A, B measures
Minimum values	A: 10 B: 10
Weight	-
Unit	m <sup>2</sup>

● **Materials, coatings and colours**

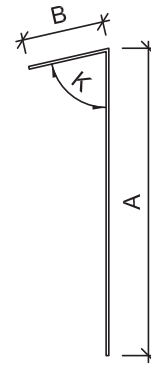
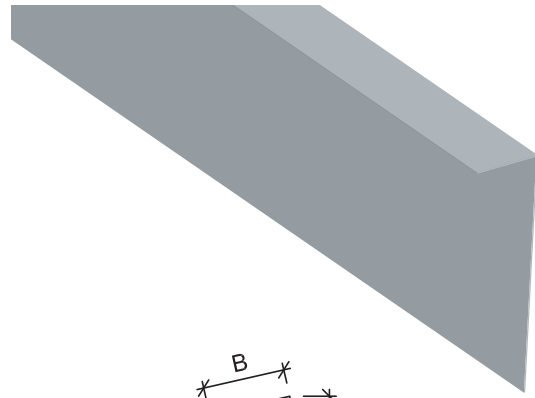
0,6 mm	Steel
0,7 mm	Aluminum

	Colour chart	Coating	Colour
Steel	Standard chart	HIARC	RR20, RR21, RR22, RR23, RR40, RR41, RR45
		HIARC Matt	RR40, RR41, RR45
	Colourful chart	HIARC & Powder paint	RR11, RR24, RR26, RR29, RR30, RR31, RR32, RR33, RR34, RR35, RR36, RR37, RR42, RR43, RR44, RR750
		Powder paint	RAL and NCS colours available by request
Aluminum	Colourful chart	PVDF	RAL and NCS colours available by request
		Powder paint	RR, RAL and NCS colours available by request

Minimum order sizes:  
 - Standard chart: no limitations  
 - Colorful chart: decided on a project basis

● **Intended use**

It is installed underneath the sill or eaves flashings to protect against rainwater getting behind the cladding construction during the stormy weather



● **Product properties**

Product name	<b>Storm flashing CA1ST2X</b>
Standard length	3000 mm
Special range	150–4000 mm
Band width	Depends on A, B measures
Minimum values	A: 12 B: 12
Weight	-
Unit	m <sup>2</sup>

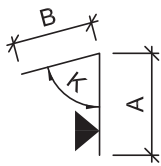
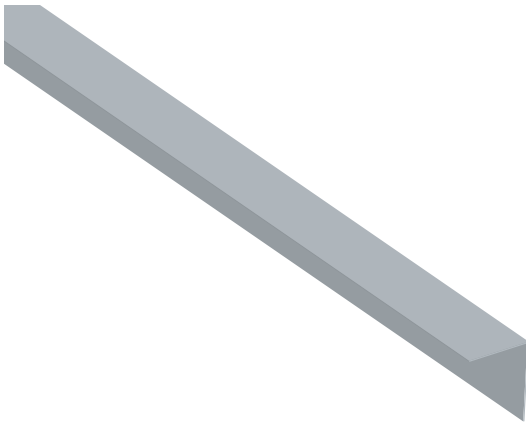
● **Materials, coatings and colours**

1,0 mm	Steel Cor-Ten A
--------	-----------------

Minimum order sizes:  
 - no limitations

● **Intended use**

It is installed underneath the sill or eaves flashings to protect against rainwater getting behind the cladding construction during the stormy weather



● **Product properties**

Product name	<b>Support flashing CA1SU1X</b>
Standard length	200 mm
Band width	Depends on A, B measures
Minimum values	A: 10 B: 10
Weight	-
Unit	m <sup>2</sup>

● **Materials, coatings and colours**

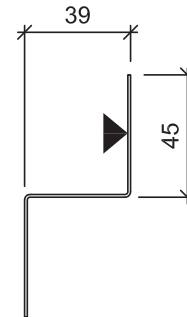
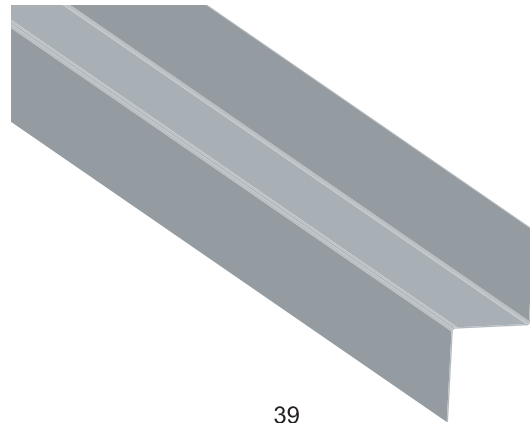
0,6 mm	Steel
0,7 mm	Aluminum

	Colour chart	Coating	Colour
Steel	Standard chart	HIARC	RR20, RR21, RR22, RR23, RR40, RR41, RR45
		HIARC Matt	RR40, RR41, RR45
	Colourful chart	HIARC & Powder paint	RR11, RR24, RR26, RR29, RR30, RR31, RR32, RR33, RR34, RR35, RR36, RR37, RR42, RR43, RR44, RR750
		Powder paint	RAL and NCS colours available by request
Aluminum	Colourful chart	PVDF	RAL and NCS colours available by request
		Powder paint	RR, RAL and NCS colours available by request

Minimum order sizes:  
 - Standard chart: no limitations  
 - Colorful chart: decided on a project basis

● **Intended use**

It is installed underneath the large sill flashings for supporting purpose



● **Product properties**

Product name	<b>Support flashing CA1SU2</b>
Standard length	3000 mm
Special range	150–4000 mm
Band width	125 mm
Weight	1,2 kg/m
Unit	m

● **Materials, coatings and colours**

1,2 mm	Steel, zinc coated steel
1,5 mm	Aluminum

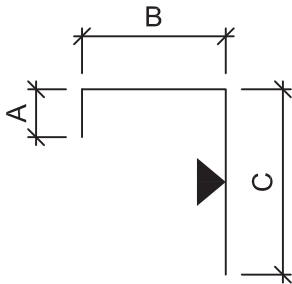
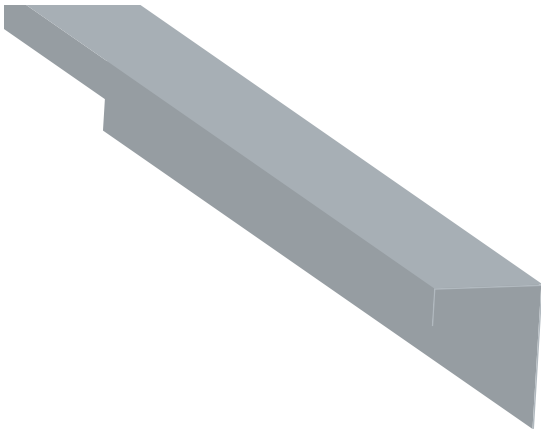
	Colour chart	Coating	Colour
Steel	Standard chart	HIARC	RR20, RR21, RR22, RR23, RR40, RR41, RR45
		HIARC Matt	RR40, RR41, RR45
	Colourful chart	HIARC & Powder paint	RR11, RR24, RR26, RR29, RR30, RR31, RR32, RR33, RR34, RR35, RR36, RR37, RR42, RR43, RR44, RR750
		Powder paint	RAL and NCS colours available by request
Aluminum	Colourful chart	PVDF	RAL and NCS colours available by request
		Powder paint	RR, RAL and NCS colours available by request

Minimum order sizes:  
 - Standard chart: no limitations  
 - Colorful chart: decided on a project basis

● **Intended use**

It supports the the upper row of cladding lamellas, if the upper edge of lamella is removed.





● **Product properties**

Product name	<b>Reverse flashing CA1R1X</b>
Standard length	200 mm
Band width	Depends on A, B, C measures
Minimum values	A: 10 B: 12 C: 10
Weight	-
Unit	m <sup>2</sup>

● **Materials, coatings and colours**

0,6 mm	Steel
--------	-------

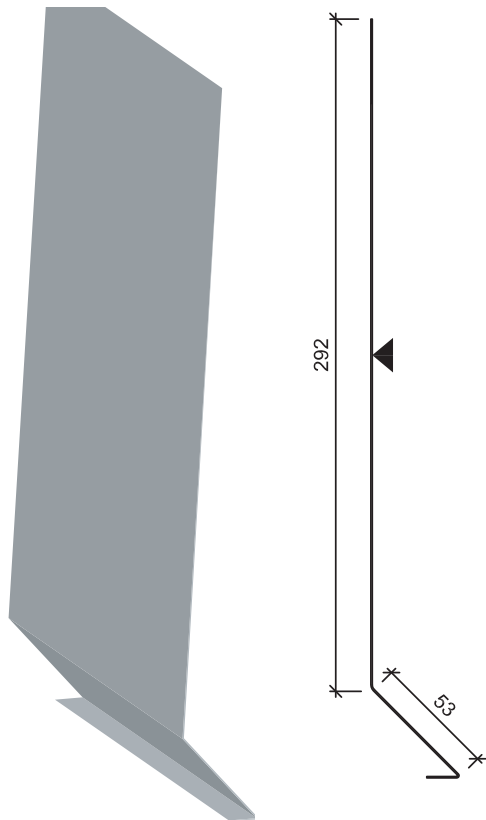
	Colour chart	Coating	Colour
Steel	Standard chart	HIARC	RR20, RR21, RR22, RR23, RR40, RR41, RR45
		HIARC Matt	RR40, RR41, RR45
	Colourful chart	HIARC & Powder paint	RR11, RR24, RR26, RR29, RR30, RR31, RR32, RR33, RR34, RR35, RR36, RR37, RR42, RR43, RR44, RR750
		Powder paint	RAL and NCS colours available by request
Aluminum	Colourful chart	PVDF	RAL and NCS colours available by request
		Powder paint	RR, RAL and NCS colours available by request

Minimum order sizes:

- Standard chart: no limitations
- Colorful chart: decided on a project basis

● **Intended use**

To protect against rainwater getting behind the facade cladding in case of short eaves.



● **Product properties**

Product name	<b>Joint piece CA1J1</b>
Standard length	90 mm
Band width	358 mm
Weight	0,15 kg/pcs (steel)
Unit	pcs

● **Materials, coatings and colours**

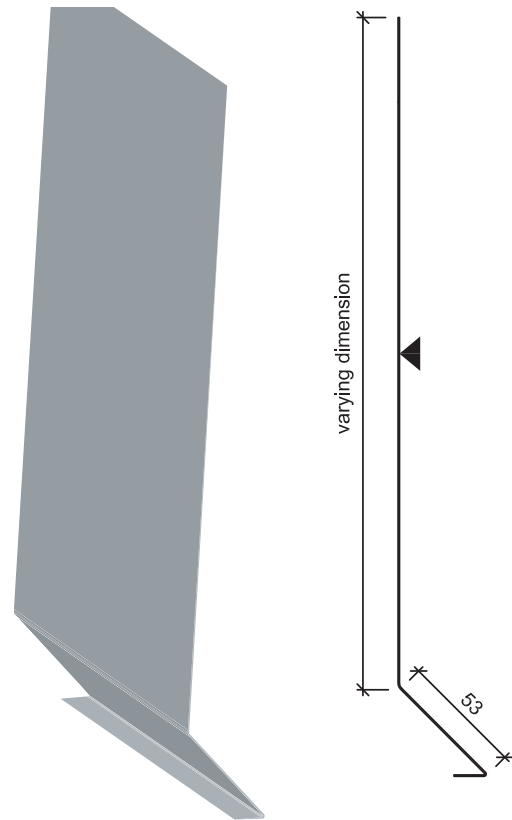
0,6 mm	Steel
0,7 mm	Aluminum

	Colour chart	Coating	Colour
Steel	Standard chart	HIARC	RR20, RR21, RR22, RR23, RR40, RR41, RR45
		HIARC Matt	RR40, RR41, RR45
	Colourful chart	HIARC & Powder paint	RR11, RR24, RR26, RR29, RR30, RR31, RR32, RR33, RR34, RR35, RR36, RR37, RR42, RR43, RR44, RR750
		Powder paint	RAL and NCS colours available by request
Aluminum	Colourful chart	PVDF	RAL and NCS colours available by request
		Powder paint	RR, RAL and NCS colours available by request

- Minimum order sizes:
- Standard chart: no limitations
  - Colorful chart: decided on a project basis

● **Intended use**

Joint piece for Lamella sharp 40



● **Product properties**

Product name	<b>Joint piece CA1J1X</b>
Standard length	90 mm
Band width	Effective height size + 58 mm
Weight	-
Unit	m <sup>2</sup>

● **Materials, coatings and colours**

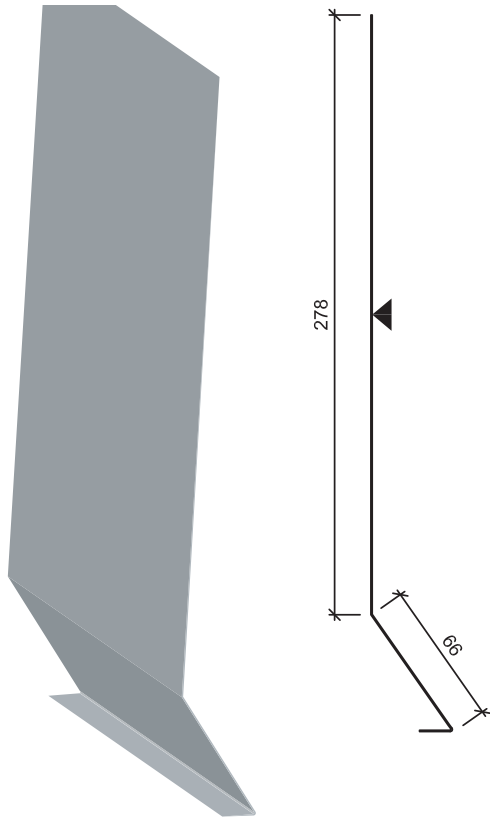
0,6 mm	Steel
0,7 mm	Aluminum

	Colour chart	Coating	Colour
Steel	Standard chart	HIARC	RR20, RR21, RR22, RR23, RR40, RR41, RR45
		HIARC Matt	RR40, RR41, RR45
	Colourful chart	HIARC & Powder paint	RR11, RR24, RR26, RR29, RR30, RR31, RR32, RR33, RR34, RR35, RR36, RR37, RR42, RR43, RR44, RR750
		Powder paint	RAL and NCS colours available by request
Aluminum	Colourful chart	PVDF	RAL and NCS colours available by request
		Powder paint	RR, RAL and NCS colours available by request

- Minimum order sizes:
- Standard chart: no limitations
  - Colorful chart: decided on a project basis

● **Intended use**

Joint piece for Lamella sharp 40



● **Product properties**

Product name	<b>Joint piece CA1J2</b>
Standard length	90 mm
Band width	358 mm
Weight	0,15 kg/pcs (steel)
Unit	pcs

● **Materials, coatings and colours**

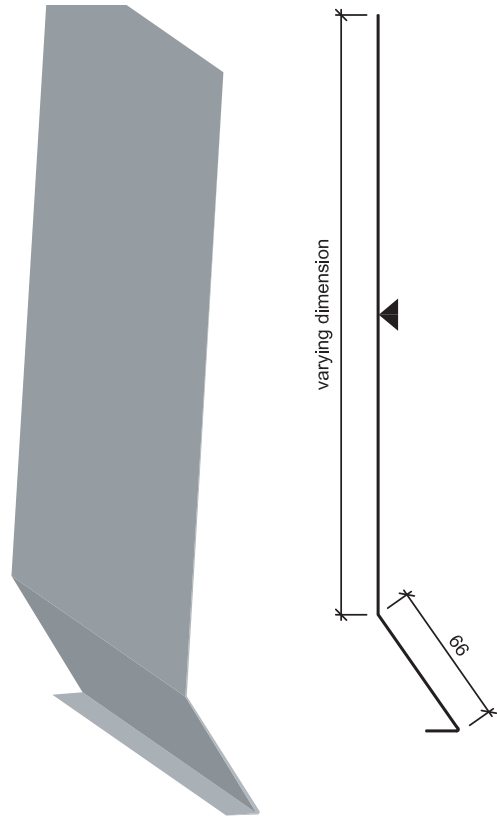
0,6 mm	Steel
0,7 mm	Aluminum

	Colour chart	Coating	Colour
Steel	Standard chart	HIARC	RR20, RR21, RR22, RR23, RR40, RR41, RR45
		HIARC Matt	RR40, RR41, RR45
	Colourful chart	HIARC & Powder paint	RR11, RR24, RR26, RR29, RR30, RR31, RR32, RR33, RR34, RR35, RR36, RR37, RR42, RR43, RR44, RR750
		Powder paint	RAL and NCS colours available by request
Aluminum	Colourful chart	PVDF	RAL and NCS colours available by request
		Powder paint	RR, RAL and NCS colours available by request

Minimum order sizes:  
 - Standard chart: no limitations  
 - Colorful chart: decided on a project basis

● **Intended use**

Joint piece for Lamella sharp 45



● **Product properties**

Product name	<b>Joint piece CA1J2X</b>
Standard length	90 mm
Band width	Effective height size + 58 mm
Weight	-
Unit	m <sup>2</sup>

● **Materials, coatings and colours**

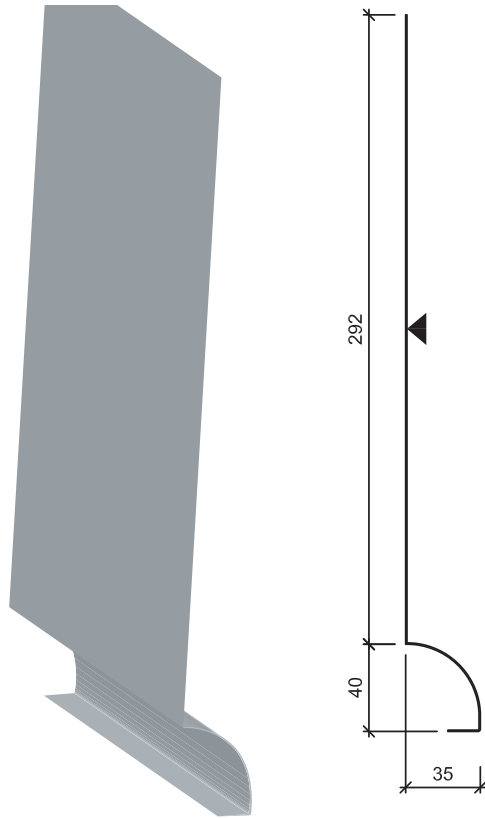
0,6 mm	Steel
0,7 mm	Aluminum

	Colour chart	Coating	Colour
Steel	Standard chart	HIARC	RR20, RR21, RR22, RR23, RR40, RR41, RR45
		HIARC Matt	RR40, RR41, RR45
	Colourful chart	HIARC & Powder paint	RR11, RR24, RR26, RR29, RR30, RR31, RR32, RR33, RR34, RR35, RR36, RR37, RR42, RR43, RR44, RR750
		Powder paint	RAL and NCS colours available by request
Aluminum	Colourful chart	PVDF	RAL and NCS colours available by request
		Powder paint	RR, RAL and NCS colours available by request

Minimum order sizes:  
 - Standard chart: no limitations  
 - Colorful chart: decided on a project basis

● **Intended use**

Joint piece for Lamella sharp 45



● **Product properties**

Product name	<b>Joint piece CA1J4</b>
Standard length	90 mm
Band width	363 mm
Weight	0,15 kg/pcs (steel)
Unit	pcs

● **Materials, coatings and colours**

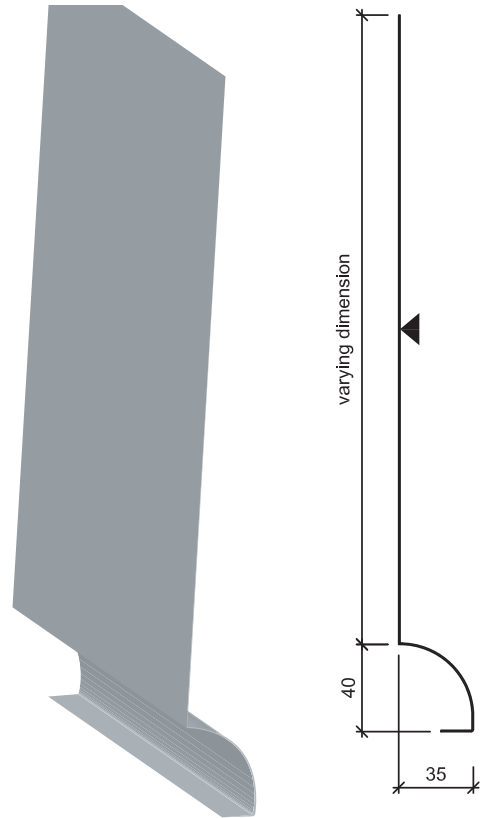
0,6 mm	Steel
0,7 mm	Aluminum

	Colour chart	Coating	Colour
Steel	Standard chart	HIARC	RR20, RR21, RR22, RR23, RR40, RR41, RR45
		HIARC Matt	RR40, RR41, RR45
	Colourful chart	HIARC & Powder paint	RR11, RR24, RR26, RR29, RR30, RR31, RR32, RR33, RR34, RR35, RR36, RR37, RR42, RR43, RR44, RR750
		Powder paint	RAL and NCS colours available by request
Aluminum	Colourful chart	PVDF	RAL and NCS colours available by request
		Powder paint	RR, RAL and NCS colours available by request

Minimum order sizes:  
 - Standard chart: no limitations  
 - Colorful chart: decided on a project basis

● **Intended use**

Joint piece for Lamella smooth 50



● **Product properties**

Product name	<b>Joint piece CA1J4X</b>
Standard length	90 mm
Band width	Effective height size + 63mm
Weight	-
Unit	m <sup>2</sup>

● **Materials, coatings and colours**

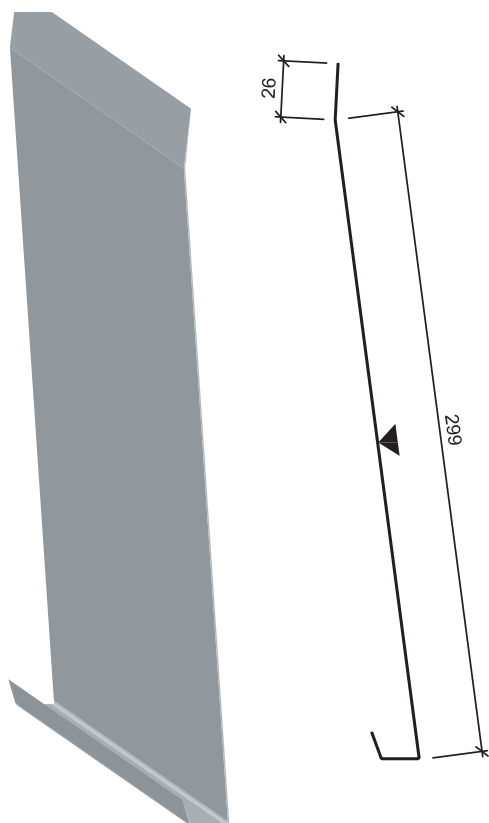
0,6 mm	Steel
0,7 mm	Aluminum

	Colour chart	Coating	Colour
Steel	Standard chart	HIARC	RR20, RR21, RR22, RR23, RR40, RR41, RR45
		HIARC Matt	RR40, RR41, RR45
	Colourful chart	HIARC & Powder paint	RR11, RR24, RR26, RR29, RR30, RR31, RR32, RR33, RR34, RR35, RR36, RR37, RR42, RR43, RR44, RR750
		Powder paint	RAL and NCS colours available by request
Aluminum	Colourful chart	PVDF	RAL and NCS colours available by request
		Powder paint	RR, RAL and NCS colours available by request

Minimum order sizes:  
 - Standard chart: no limitations  
 - Colorful chart: decided on a project basis

● **Intended use**

Joint piece for Lamella smooth 50



● **Product properties**

Product name	<b>Joint piece CA1J6</b>
Standard length	90 mm
Band width	356 mm
Weight	0,15 kg/pcs (steel)
Unit	pcs

● **Materials, coatings and colours**

0,6 mm	Steel
0,7 mm	Aluminum

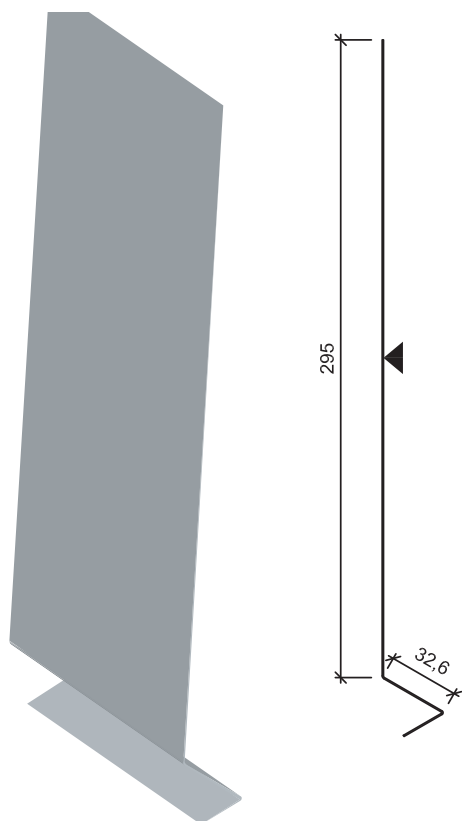
	Colour chart	Coating	Colour
Steel	Standard chart	HIARC	RR20, RR21, RR22, RR23, RR40, RR41, RR45
		HIARC Matt	RR40, RR41, RR45
	Colourful chart	HIARC & Powder paint	RR11, RR24, RR26, RR29, RR30, RR31, RR32, RR33, RR34, RR35, RR36, RR37, RR42, RR43, RR44, RR750
		Powder paint	RAL and NCS colours available by request
Aluminum	Colourful chart	PVDF	RAL and NCS colours available by request
		Powder paint	RR, RAL and NCS colours available by request

Minimum order sizes:

- Standard chart: no limitations
- Colorful chart: decided on a project basis

● **Intended use**

Joint piece for Lamella lap 60



● **Product properties**

Product name	<b>Joint piece CA1J7</b>
Standard length	90 mm
Band width	349 mm
Weight	0,15 kg/pcs (steel)
Unit	pcs

● **Materials, coatings and colours**

0,6 mm	Steel
0,7 mm	Aluminum

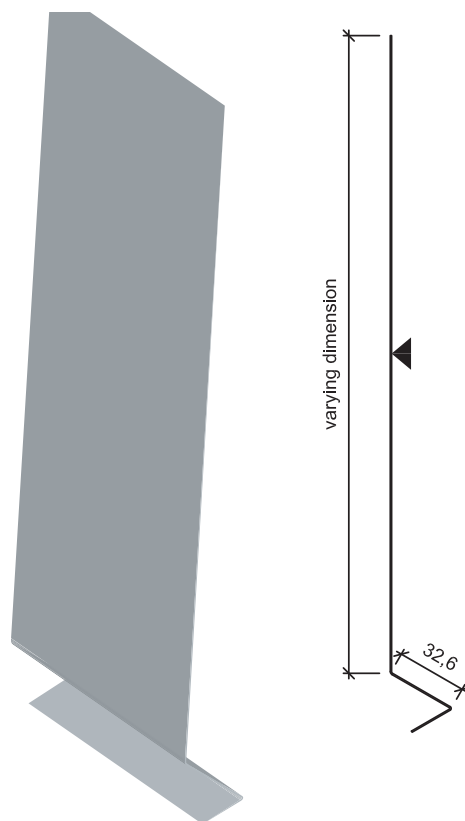
	Colour chart	Coating	Colour
Steel	Standard chart	HIARC	RR20, RR21, RR22, RR23, RR40, RR41, RR45
		HIARC Matt	RR40, RR41, RR45
	Colourful chart	HIARC & Powder paint	RR11, RR24, RR26, RR29, RR30, RR31, RR32, RR33, RR34, RR35, RR36, RR37, RR42, RR43, RR44, RR750
		Powder paint	RAL and NCS colours available by request
Aluminum	Colourful chart	PVDF	RAL and NCS colours available by request
		Powder paint	RR, RAL and NCS colours available by request

Minimum order sizes:

- Standard chart: no limitations
- Colorful chart: decided on a project basis

● **Intended use**

Joint piece for Lamella peak 90



● **Product properties**

Product name	<b>Joint piece CA1J7X</b>
Standard length	90 mm
Band width	Effective height size + 49 mm
Weight	-
Unit	m <sup>2</sup>

● **Materials, coatings and colours**

0,6 mm	Steel
0,7 mm	Aluminum

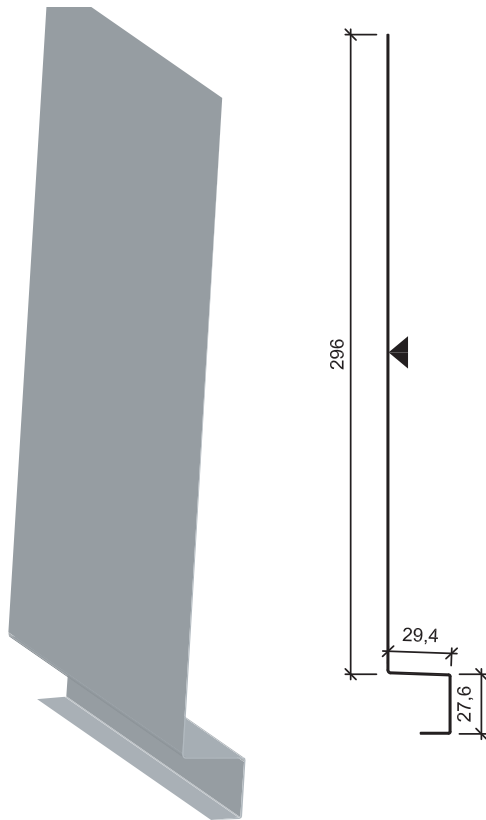
	Colour chart	Coating	Colour
Steel	Standard chart	HIARC	RR20, RR21, RR22, RR23, RR40, RR41, RR45
		HIARC Matt	RR40, RR41, RR45
	Colourful chart	HIARC & Powder paint	RR11, RR24, RR26, RR29, RR30, RR31, RR32, RR33, RR34, RR35, RR36, RR37, RR42, RR43, RR44, RR750
		Powder paint	RAL and NCS colours available by request
Aluminum	Colourful chart	PVDF	RAL and NCS colours available by request
		Powder paint	RR, RAL and NCS colours available by request

Minimum order sizes:

- Standard chart: no limitations
- Colorful chart: decided on a project basis

● **Intended use**

Joint piece for Lamella peak 90



● **Product properties**

Product name	<b>Joint piece CA1J8</b>
Standard length	90 mm
Band width	367 mm
Weight	0,15 kg/pcs (steel)
Unit	pcs

● **Materials, coatings and colours**

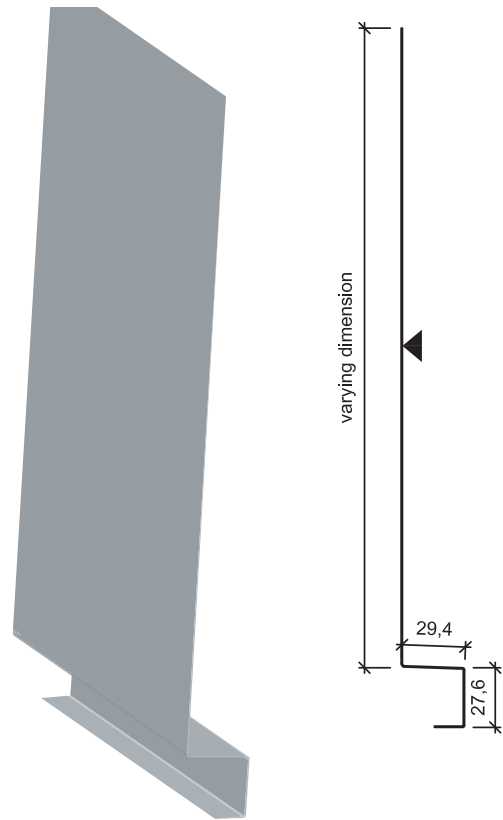
0,6 mm	Steel
0,7 mm	Aluminum

	Colour chart	Coating	Colour
Steel	Standard chart	HIARC	RR20, RR21, RR22, RR23, RR40, RR41, RR45
		HIARC Matt	RR40, RR41, RR45
	Colourful chart	HIARC & Powder paint	RR11, RR24, RR26, RR29, RR30, RR31, RR32, RR33, RR34, RR35, RR36, RR37, RR42, RR43, RR44, RR750
		Powder paint	RAL and NCS colours available by request
Aluminum	Colourful chart	PVDF	RAL and NCS colours available by request
		Powder paint	RR, RAL and NCS colours available by request

- Minimum order sizes:
- Standard chart: no limitations
  - Colorful chart: decided on a project basis

● **Intended use**

Joint piece for Lamella straight 100



● **Product properties**

Product name	<b>Joint piece CA1J8X</b>
Standard length	90 mm
Band width	Effective height size + 67 mm
Weight	-
Unit	m <sup>2</sup>

● **Materials, coatings and colours**

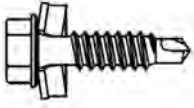
0,6 mm	Steel
0,7 mm	Aluminum

	Colour chart	Coating	Colour
Steel	Standard chart	HIARC	RR20, RR21, RR22, RR23, RR40, RR41, RR45
		HIARC Matt	RR40, RR41, RR45
	Colourful chart	HIARC & Powder paint	RR11, RR24, RR26, RR29, RR30, RR31, RR32, RR33, RR34, RR35, RR36, RR37, RR42, RR43, RR44, RR750
		Powder paint	RAL and NCS colours available by request
Aluminum	Colourful chart	PVDF	RAL and NCS colours available by request
		Powder paint	RR, RAL and NCS colours available by request

- Minimum order sizes:
- Standard chart: no limitations
  - Colorful chart: decided on a project basis

● **Intended use**

Joint piece for Lamella straight 100



- **Product properties**

Product name: **Screw S3H48022D02S4C**  
Size: diameter 4,8 mm, length 22 mm  
Head: 8 mm, hexagon  
Package size: 250 pcs

- **Material**

Screw: Austenitic stainless steel  
Washer: 14 mm stainless steel with vulcanized EPDM rubber

- **Intended use**

fixation of starting fillets, rainscreen panels, lamellas and cover flashings, eaves and storm flashings, joint and corner flashings

Application range: steel max. 2 x 1,0 mm  
pre-perforated detail to 1,5 mm steel support stud



- **Product properties**

Product name: **Screw S3H60022D03S4D**  
Size: diameter 6 mm, length 22 mm  
Head: 8 mm, hexagon  
Package size: 500 pcs

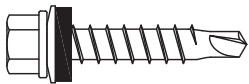
- **Material**

Screw: Austenitic stainless steel  
Washer: 16 mm stainless steel with vulcanized EPDM rubber

- **Intended use**

fixation of starting fillets, rainscreen panels, lamellas and cover flashings, eaves and storm flashings, joint and corner flashings

Application range: steel max. 2 x 1,5 mm



- **Product properties**

Product name: **Screw S3H4825D4S9.5**  
Size: diameter 4,8 mm, length 25 mm  
Head: 1/4 " (6,35mm), hexagon  
Drilling capacity: 4 mm  
Package size: no limitations

- **Material**

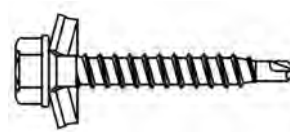
Screw: Austenitic stainless steel  
Washer: 9,5 mm aluminium with vulcanized EPDM rubber

- **Intended use**

fixation of design profiles, joint and corner flashings of design profiles

- **Note**

self-drilling screw



- **Product properties**

Product name: **Screw S3H48035W0S4C**  
Size: diameter 4,8 mm, length 35 mm  
Head: 8 mm, hexagon  
Drilling capacity: 3 mm  
Package size: 250

- **Material**

Screw: Austenitic stainless steel  
Washer: 14 mm stainless steel with vulcanized EPDM rubber

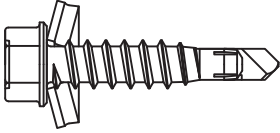
- **Intended use**

fixation of sill and cover flashings to window or door frames, support studs of Cor-Ten rainscreens to timber, support studs of lamellas to adjustable fastener

- **Note**

self-drilling screw





- **Product properties**

Product name: **Screw S3H60029D03S6**  
Size: diameter 6 mm, length 29 mm  
Head: 8 mm, hexagon  
Drilling capacity: 3 mm  
Package size: 500 pcs

- **Material**

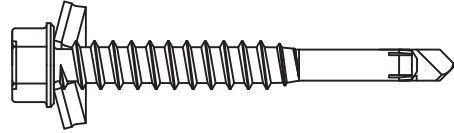
Screw: Austenitic stainless steel  
Washer: 16 mm, austenitic stainless steel with vulcanized EPDM rubber

- **Intended use**

fixation of Cor-Ten rainscreens, lamellas, joint and corner

- **Note**

self-drilling screw



- **Product properties**

Product name: **Screw S3H60050D03S6**  
Size: diameter 6 mm, length 50 mm  
Head: 8 mm, hexagon  
Drilling capacity: 3 mm  
Package size: 500 pcs

- **Material**

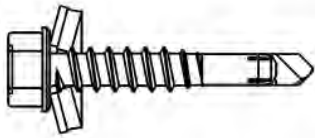
Screw: Austenitic stainless steel  
Washer: 16 mm, austenitic stainless steel with vulcanized EPDM rubber

- **Intended use**

fixation of support studs for Cor-Ten rainscreens, plinth flashing

- **Note**

self-drilling screw



- **Product properties**

Product name: **Screw S3H55031D05S6D**  
Size: diameter 5,5 mm, length 31 mm  
Head: 8 mm, hexagon  
Drilling capacity: 5 mm  
Package size: 500 pcs

- **Material**

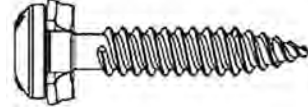
Screw: Austenitic stainless steel  
Washer: 16 mm, austenitic stainless steel with vulcanized EPDM rubber

- **Intended use**

fixation of support studs of Cor-Ten rainscreens and design profiles to adjustable fastener

- **Note**

self-drilling screw



- **Product properties**

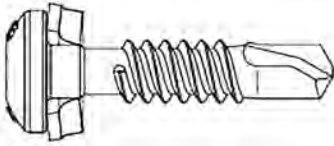
Product name: **Screw S3R48026W01A0E**  
Size: diameter 4,8 mm, length 26 mm  
Head: Torx T25  
Package size: 1000 pcs

- **Material**

Screw: Austenitic stainless steel  
Washer: 10 mm, austenitic stainless steel with vulcanized EPDM rubber

- **Intended use**

fixation of design profiles to timber support studs



- **Product properties**

Product name: **Screw S3R48022D02A0C**

Size: diameter 4,8 mm, length 22 mm

Head: Torx T25

Package size: 250 pcs

- **Material**

Screw: Austenitic stainless steel

Washer: 10 mm, austenitic stainless steel with vulcanized EPDM rubber

- **Intended use**

fixation of design profiles

- **Note**

self-drilling screw



- **Product properties**

Product name: **Sealing strip EA3SS410**  
Size: width 10 mm, thickness 4 mm

- **Material**

closed-cell polyethylene plastic,  
one-sided adhesive tape

- **Intended use**

installed between the window or door frames and cover flashings.



- **Product properties**

Product name: **Separating piece EPDM CA3SP814**  
Size: width 14 mm, thickness 8 mm

- **Material**

EPDM rubber, hardness 65 °shA

- **Intended use**

Installed into the fixation holes of Cor-Ten facade cassettes for separation purpose.



- **Product properties**

Product name: **Separating strip EPDM CA3SE410**  
Size: width 10 mm, thickness 4 mm

- **Material**

EPDM cellular rubber,  
one-sided glass fibre reinforced adhesive tape

- **Intended use**

To separate the Cor-Ten design profiles and support studs. Installed between the building wall and Cor-Ten support studs. To separate the Cor-Ten flashings and facade cladding.



- **Product properties**

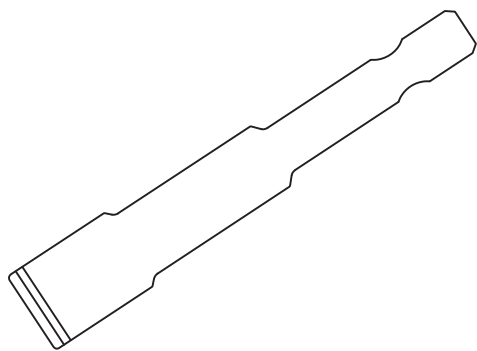
Product name: **Separating strip EPDM CA3SE420**  
Size: width 20 mm, thickness 4 mm

- **Material**

EPDM cellular rubber,  
one-sided glass fibre reinforced adhesive tape

- **Intended use**

To separate Cor-Ten design profiles in overlapped areas. Installed between the building wall and Cor-Ten support studs or to separate Cor-Ten flashings and support studs.



- **Product properties**

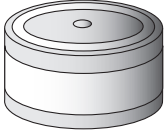
Product name: **Fastening socket CA21165**

Size: diameter 11 mm, length 65 mm

Head: '1 / 4 " (6.35 mm), hexagon

- **Intended use**

To fasten the S3H4825D4S9.5 screws.



- **Product properties**

Product name: **Repair paint 0,33 L RA6RP033**

Gloss: Semi-gloss

Colours: RR11, 20, 22, 24, 29, 30, 32, 33, 34, 35, 37, 40, 42, 43

Package size: 1 tin (0.33 l)

- **Intended use**

For re-painting scratched colour coated steels.



- **Product properties**

Product name: **Repair paint 0,1 l RA6RP01**

Gloss: Matt

Colours: RR11, RR20, RR22, RR23, RR25, RR29, RR30, RR32, RR33, RR34, RR35, RR36, RR37, RR40, RR41, RR42, RR45

Package size: 1 bottle (0,1 l)

- **Intended use**

For touch-up painting of scratched colour coated steels.



- **Product properties**

Product name: **Repair paint matt 24ml RA6RP0024M**

Gloss: Matt

Colours: RR11, 20, 21, 22, 23, 25, 29, 30, 32, 33, 35, 36, 37, 40, 41, 43, 44, 45, 750,

Package size: 1 bottle (24 ml)

- **Intended use**

For touch-up painting of scratched colour coated steels.



- **Product properties**

Product name: **Repair paint matt 30ml RA6RP0030M**

Gloss: Matt

Colours: RR11, 21, 22, 23, 29, 32, 33, 750

Package size: 1 bottle (30 ml)

- **Intended use**

For touch-up painting of scratched colour coated steels.

**We work with investors who see opportunities.  
We exist for designers and builders to fulfill their dreams.  
We are here for those who bring buildings and homes to life.**

**This publication is accurate to the best of our knowledge and understanding. Although every effort has been made to ensure accuracy, the company does not assume any responsibility for any errors or omissions, or any direct, indirect or consequential damage caused by incorrect application of the information. We reserve the right to make changes. Always use original standards for accurate comparison. For latest technical updates, please visit [www.ruukki.com](http://www.ruukki.com).**

The logo for Ruukki, featuring the word "RUUKKI" in a bold, white, sans-serif font with a stylized, blocky appearance.

Ruukki Construction Oy, Panuntie 11, FI-00620 Helsinki, +358 20 59 150, [www.ruukki.com](http://www.ruukki.com)

Copyright© 2017 Ruukki Construction. All rights reserved. Ruukki and Ruukki's product names are trademarks or registered trademarks of Rautaruukki Corporation, a subsidiary of SSAB.